

*Barudan*

HIGH SPEED AUTOMATIC EMBROIDERY MACHINE

**BENT-ZN/ZQ-201**

**PARTS LIST**

FOR MODELS ASSEMBLED IN JAPAN

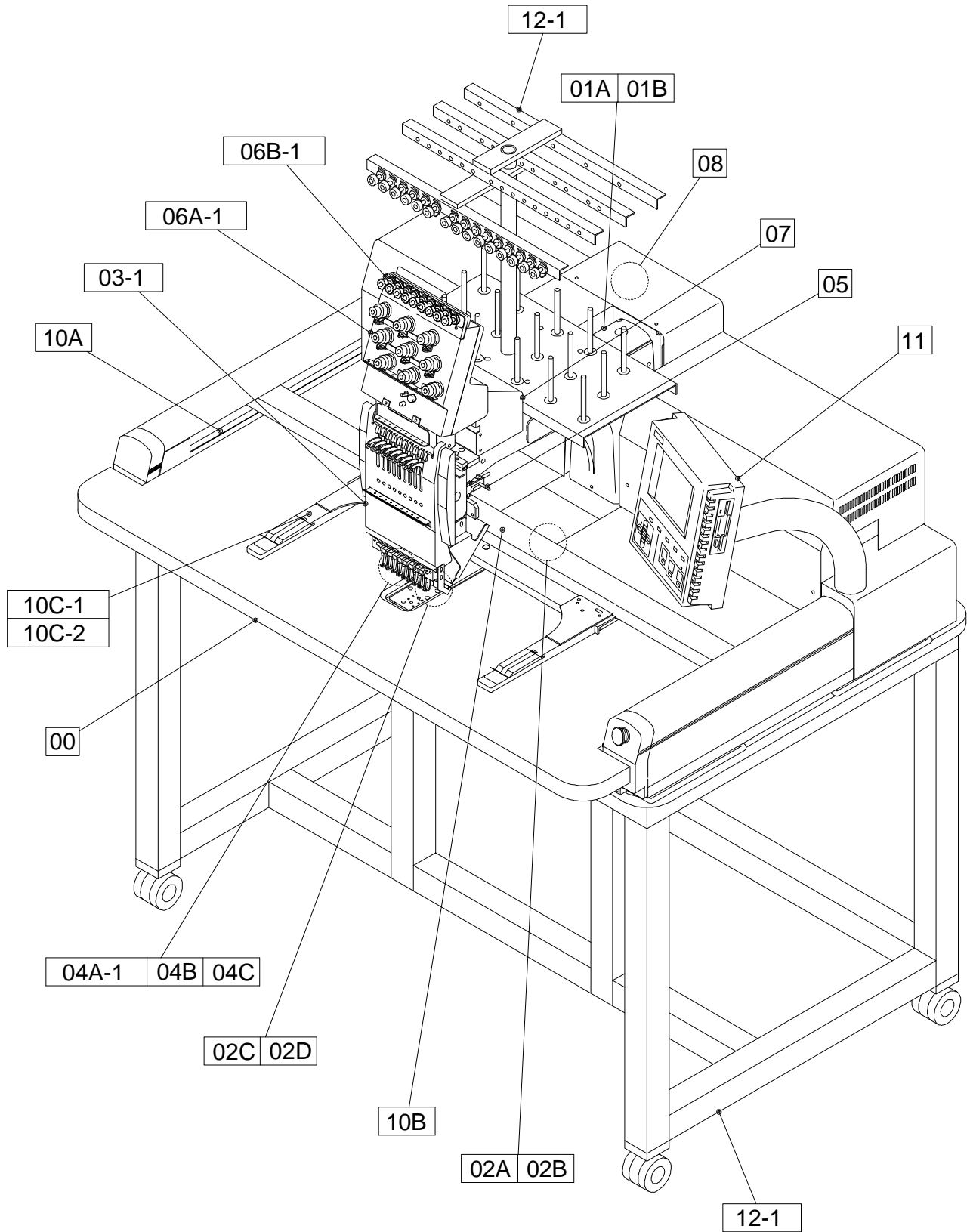
# BENT-ZN-ZQ-201

## HIGH SPEED AUTOMATIC EMBROIDERY MACHINE

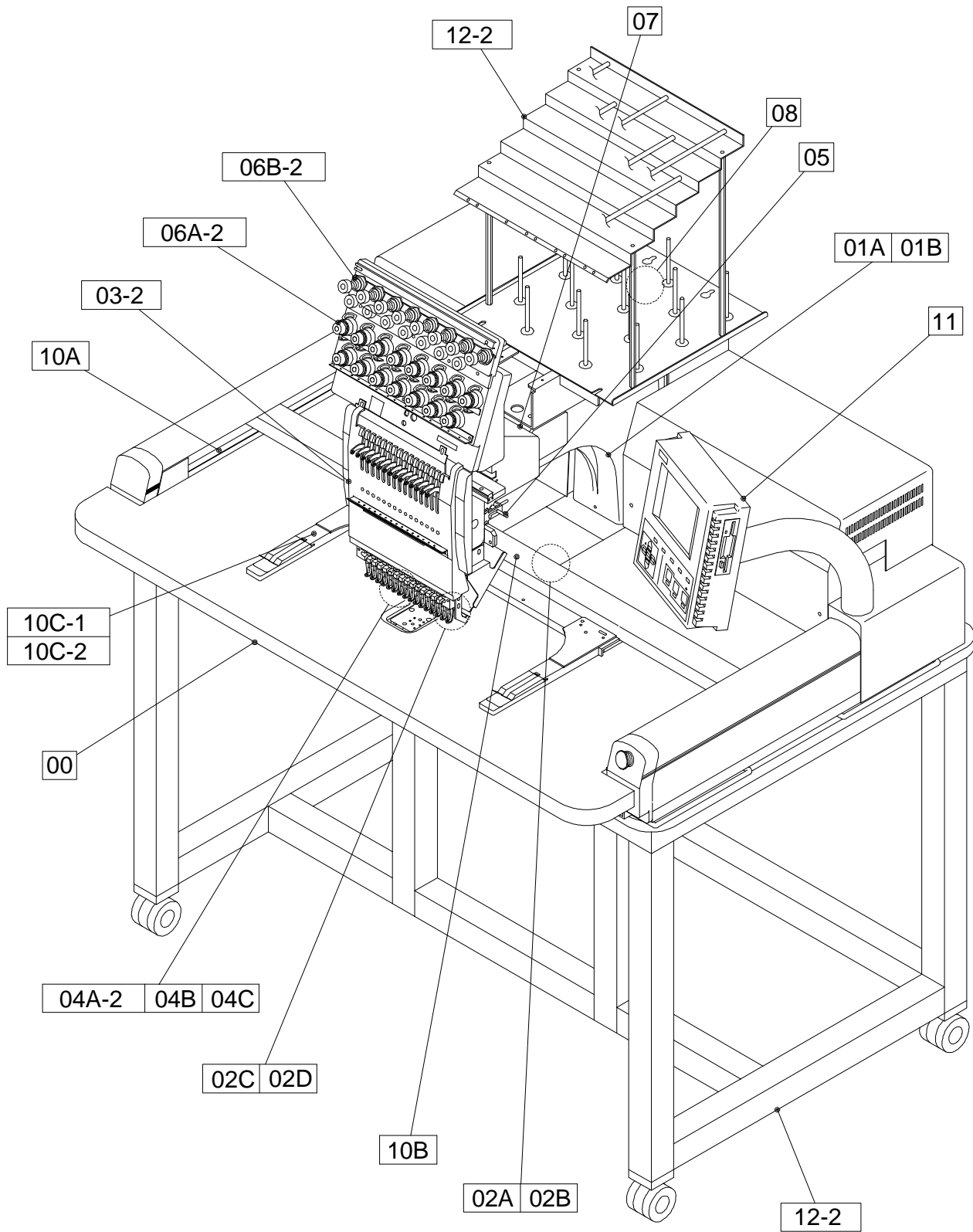
### CONTENTS

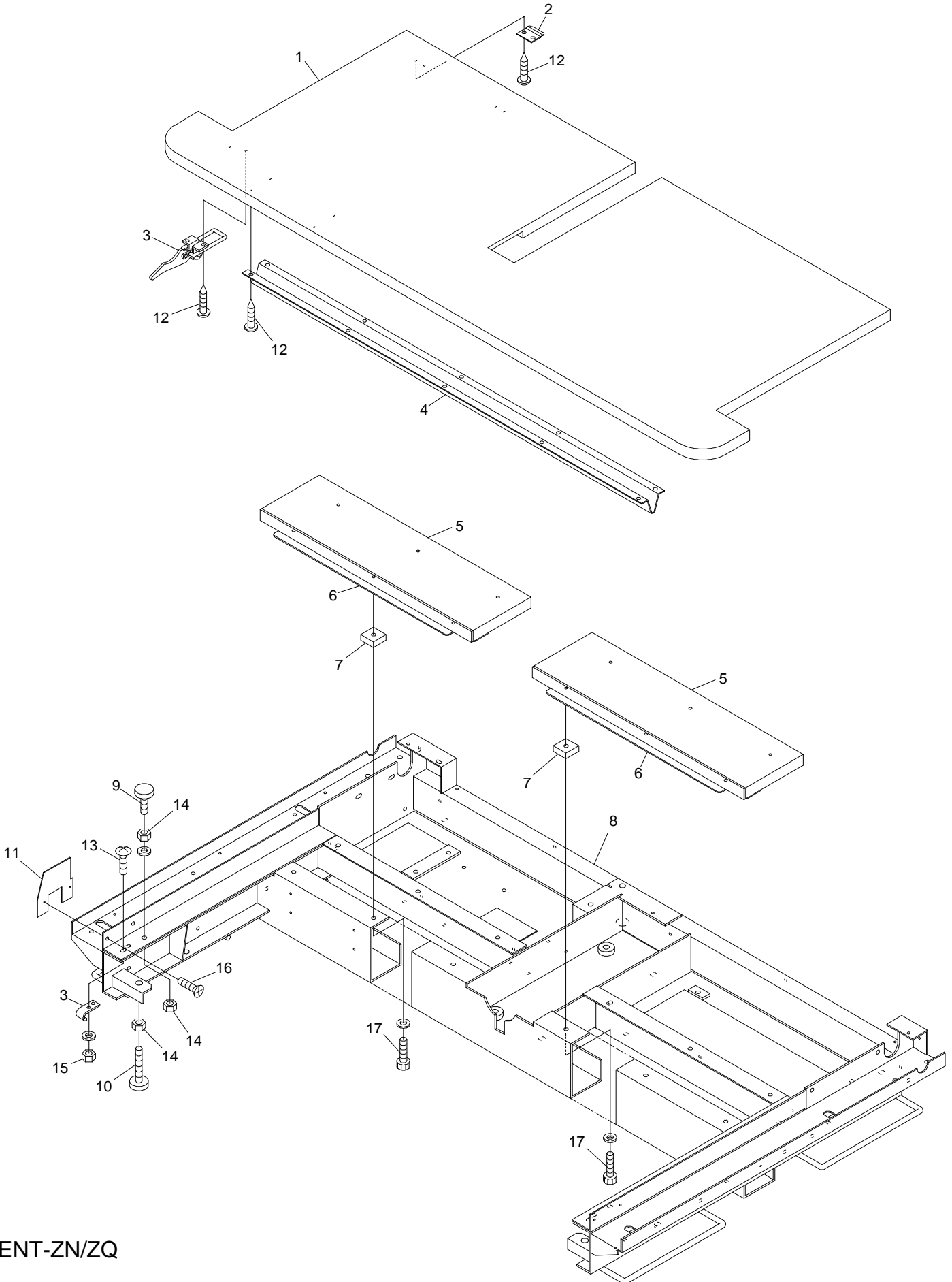
	Machine layout		
00	Table - Frame	06A-1	Thread guide A (Standard) (ZN)
01A	Head-Bed A	06A-2	Thread guide A (Standard) (ZQ)
01B	Head-Bed B	06B-1	Thread guide B (Lower thread sensorium) (ZN)
02A	Thread Cut A	06B-2	Thread guide B (Lower thread sensorium) (ZQ)
02B	Thread Cut B	07	Color change
02C	Thread Cut C	08	Drive
02D	Thread Cut D	10A	H - Direction pantograph drive
03-1	Take up lever (ZN)	10B	H - Direction pantograph drive
03-2	Take up lever (ZQ)	10C-1	Pantograph drive C
04A-1	Needle bar A (ZN)	10C-2	Pantograph drive C (QS)
04A-2	Needle bar A (ZQ)	11	Control
04B	Needle bar B	12-1	Accessories (ZN)
04C	Needle bar C	12-2	Accessories (ZQ)
05	Jump		

Machine layout (BENT-ZN)

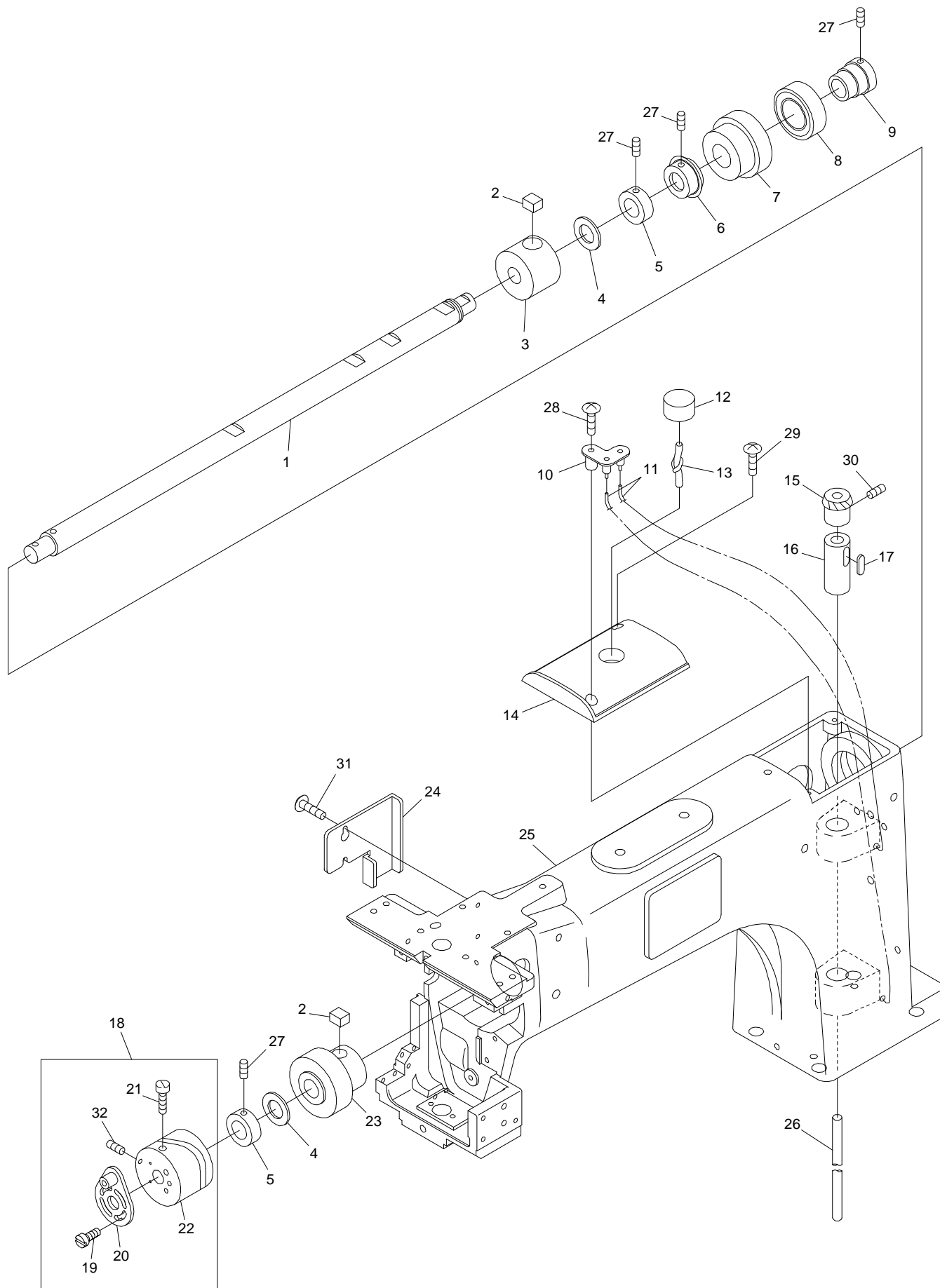


Machine layout (BENT-ZQ)





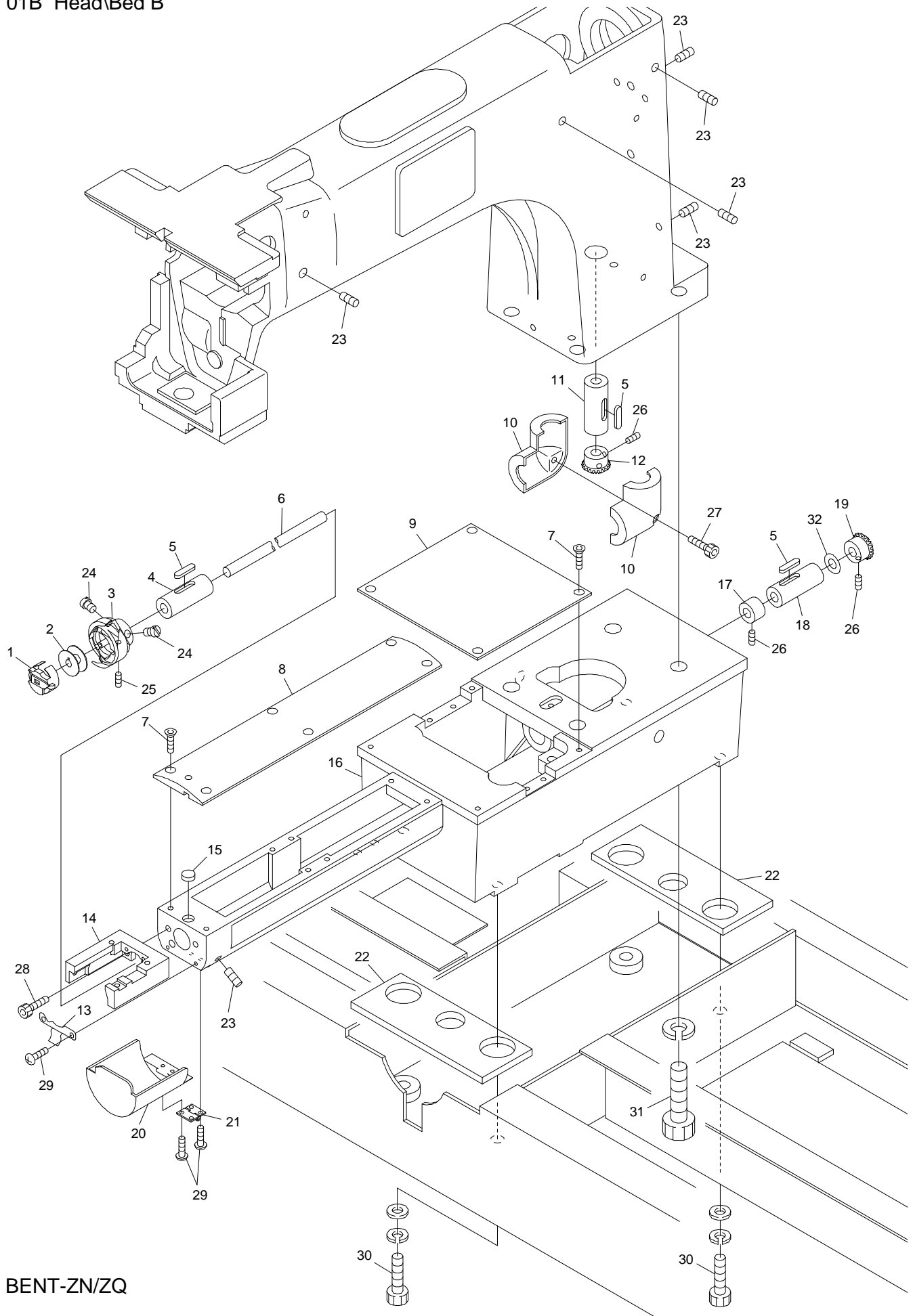








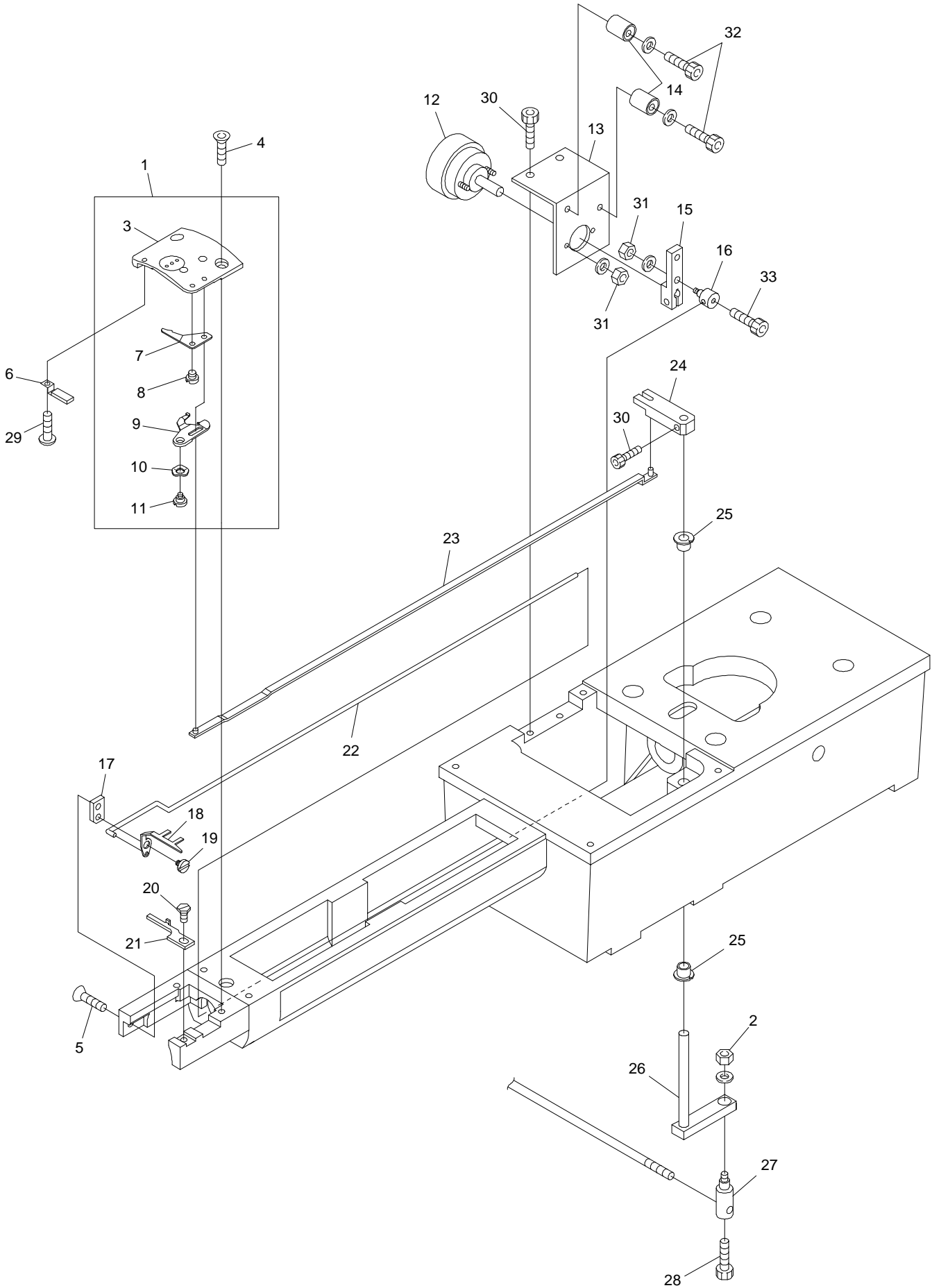
01B Head\Bed B



BENT-ZN/ZQ



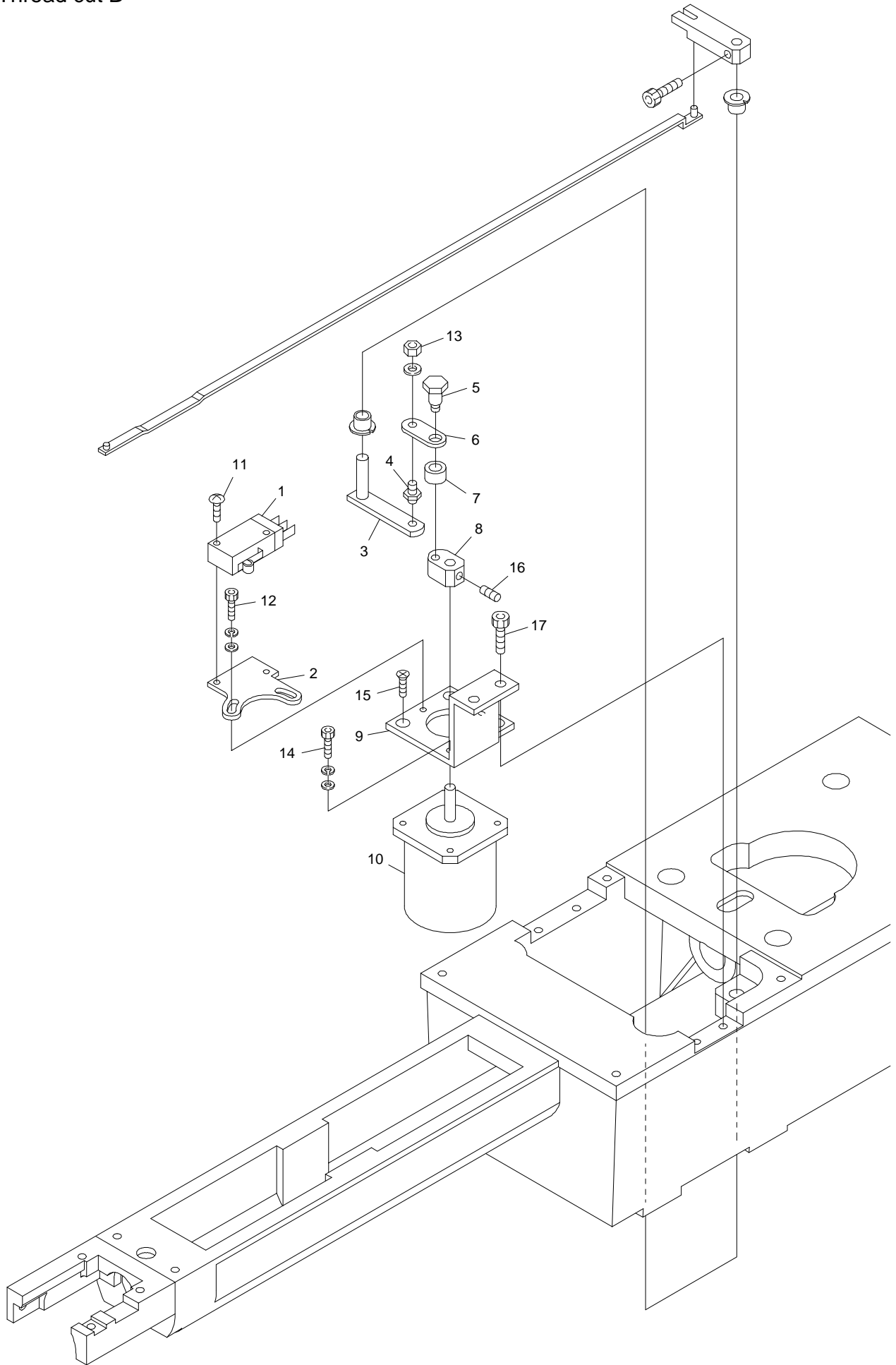
02A Thread cut A



BEDSME-ZN/ZQ-A BENYME-ZN/ZQ BENT-ZN/ZQ  
BENBME-ZN/ZQ

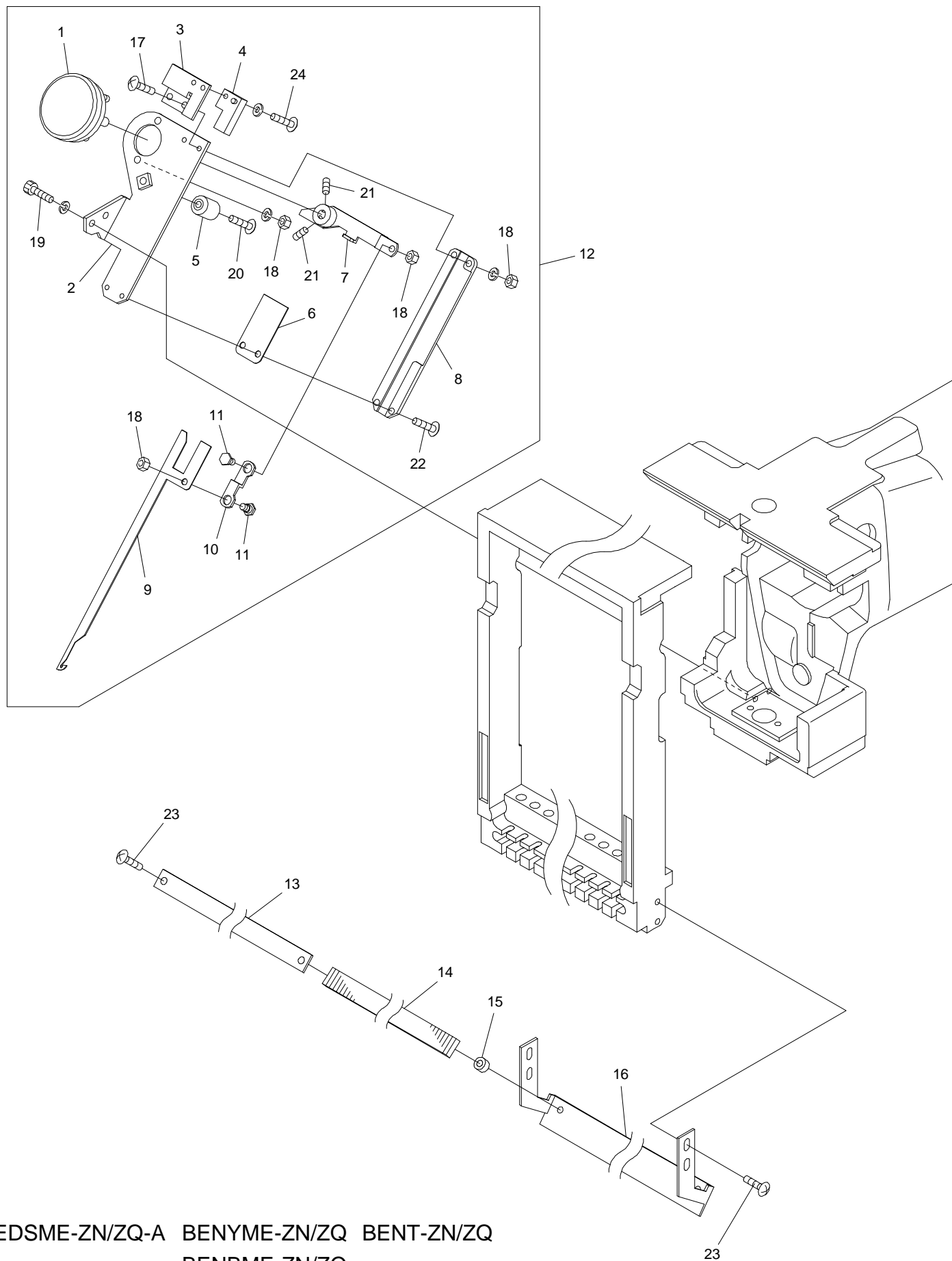


02B Thread cut B





02C Thread cut C

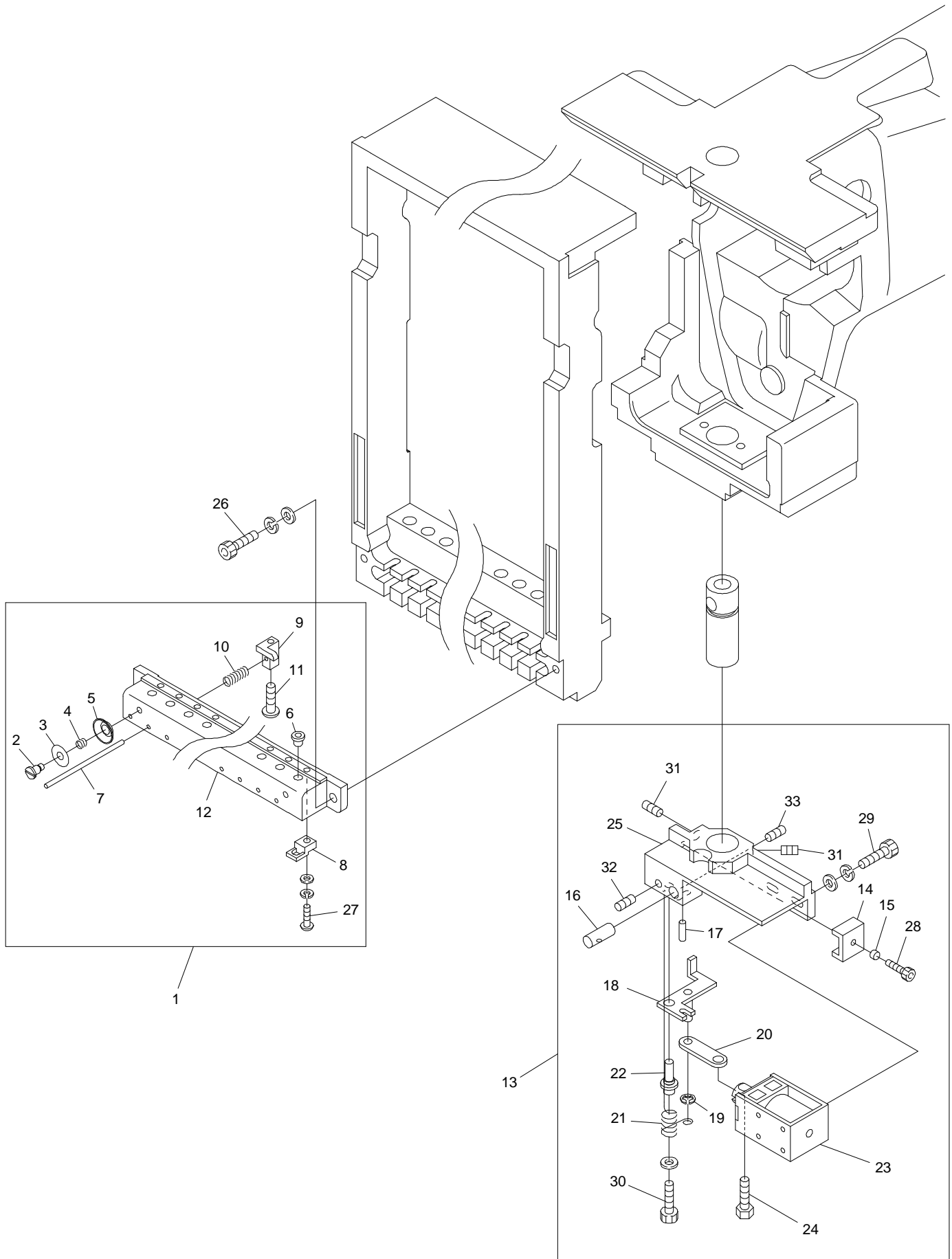


BEDSME-ZN/ZQ-A BENYME-ZN/ZQ BENT-ZN/ZQ  
 BENBME-ZN/ZQ





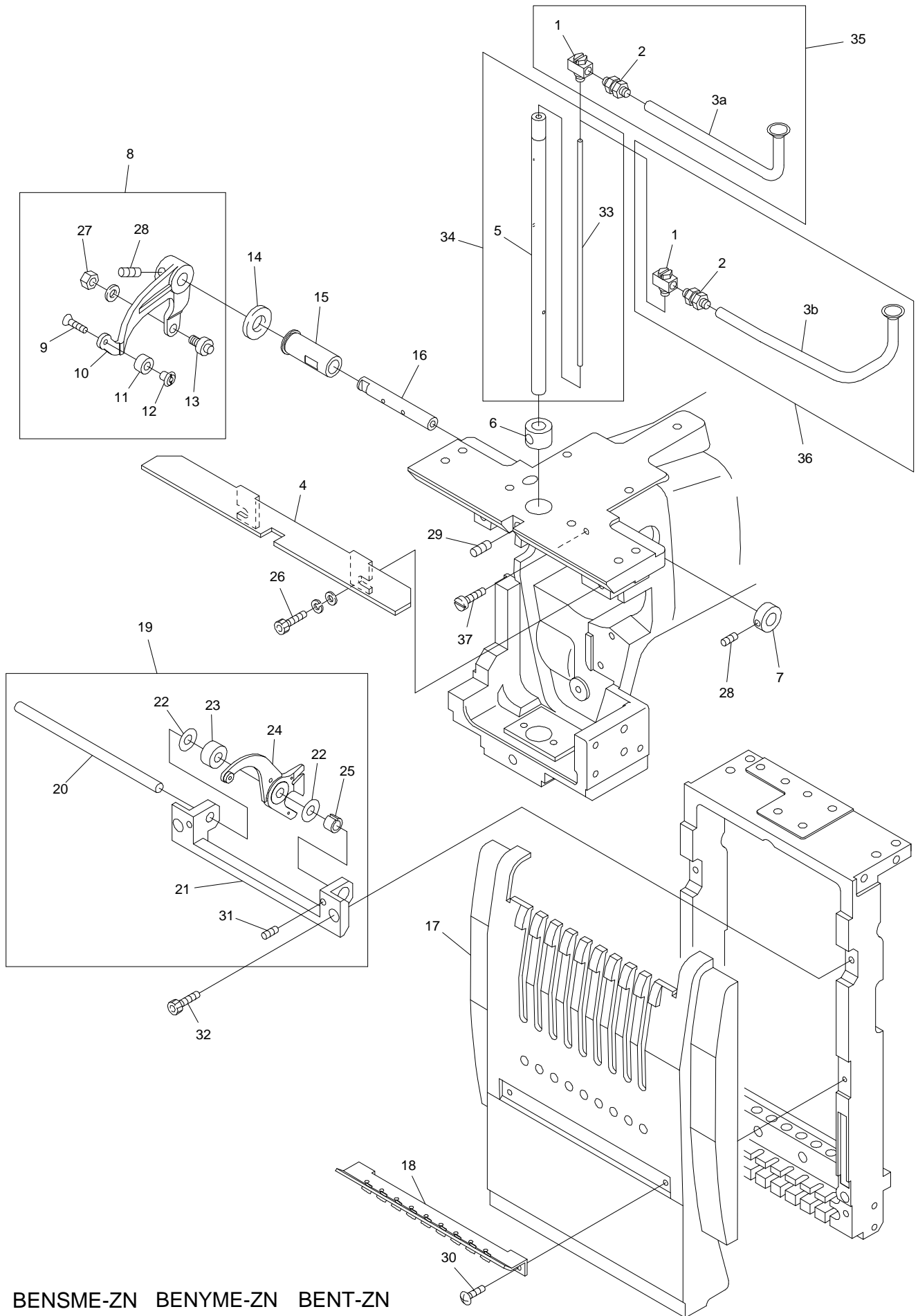
02D Thread cut D



BEDSME-ZN/ZQ-A BENYME-ZN/ZQ BENT-ZN/ZQ  
BENBME-ZN/ZQ



03-1 Take up lever (ZN)



BENSME-ZN BENYME-ZN BENT-ZN  
 BENRME-ZN BENBME-ZN

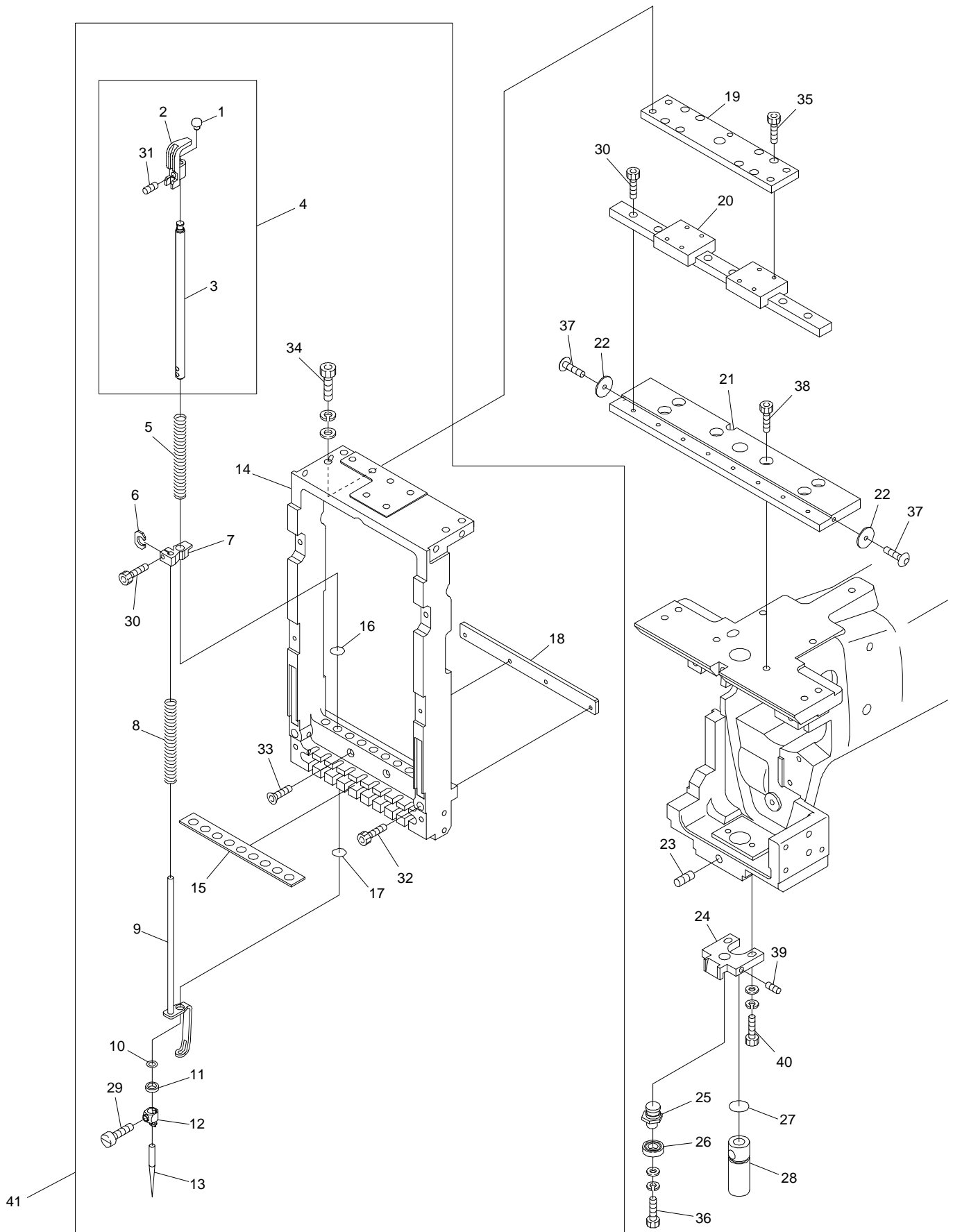




## 03-2 TAKE UP LEVER (ZQ)

ITEM	LIST NO.	DESCRIPTION	Q'TY	NOTE
1	A9075122	Universal elbow M-5UL	Hx1	
2	A9075123	Universal nipple M-5UN	Hx1	
3a	LA230260	Lubrication pipe	Hx1	Except for NT
3b	MG230000	Drive shaft lubrication pipe	Hx1	NT
4	LA230171	Slide shaft	Hx1	
5	KX230071	Slide shaft bush(Upper)	Hx1	
6	HB230270	Needle bar drive lever fixing collar	Hx1	
7	LA230330	Take up lever drive lever a'ssy	Hx1	
8	HB230650	Flush screw(With adhesion)	Hx1	
9	KT230032	Take up lever drive lever	Hx1	
10	RD230120	Take up lever drive roller	Hx1	
11	RD230130	Take up lever drive roller shaft	Hx1	
12	KF230680	Take up lever rollar a'ssy	Hx1	
13	A9012164	Washer(R-TW0815)	Hx1	
14	KB230100	Take up lever drive shaft metal	Hx1	
15	KB230110	Take up lever drive shaft	Hx1	
16	LA230251	Stocker	Hx1	
17	LA230410	Take up lever a'ssy(ZQ-A)	Hx1	
18	KX230151	Take up lever	Hx15	
19	KX230141	Take up lever spacer	Hx13	
20	KX230310	Take up lever shim(t0.3)	Hx2	
21	RD230201	Take up lever spacer collar	Hx1	
22	RD230080	Take up lever shaft	Hx1	
23	KX230120	Take up lever collar	Hx1	
24	LA230281	Take up lever bracket	Hx1	
25	LA250050	Head cover	Hx1	
26	RD240270	Thread guard(With guide)	Hx1	
27		Hex.nut SM7/32(With spring washer)		
28		Hex.socket set screw M5x6(With adhesion)		
29		Hex.socket set screw M5x8		
30		Hex.socket bolt M4x10(With washers)		
31		Hex.socket set screw M4x4		
32		Hex.socket set screw M4x8		
33		Hex.socket bolt M4x8		
34		Truss screw M3x10		
35		screw(SM11/64x11)		
36	LA230340	Oil core	Hx1	
37	LA230420	Slide shaft a'ssy	Hx1	
38	LA230360	Lubrication pipe a'ssy for multi head type	Hx1	Except for NT
39	MG230010	Drive shaft lubrication pipe a'ssy	Hx1	NT

04A-1 Needle bar A (ZN)



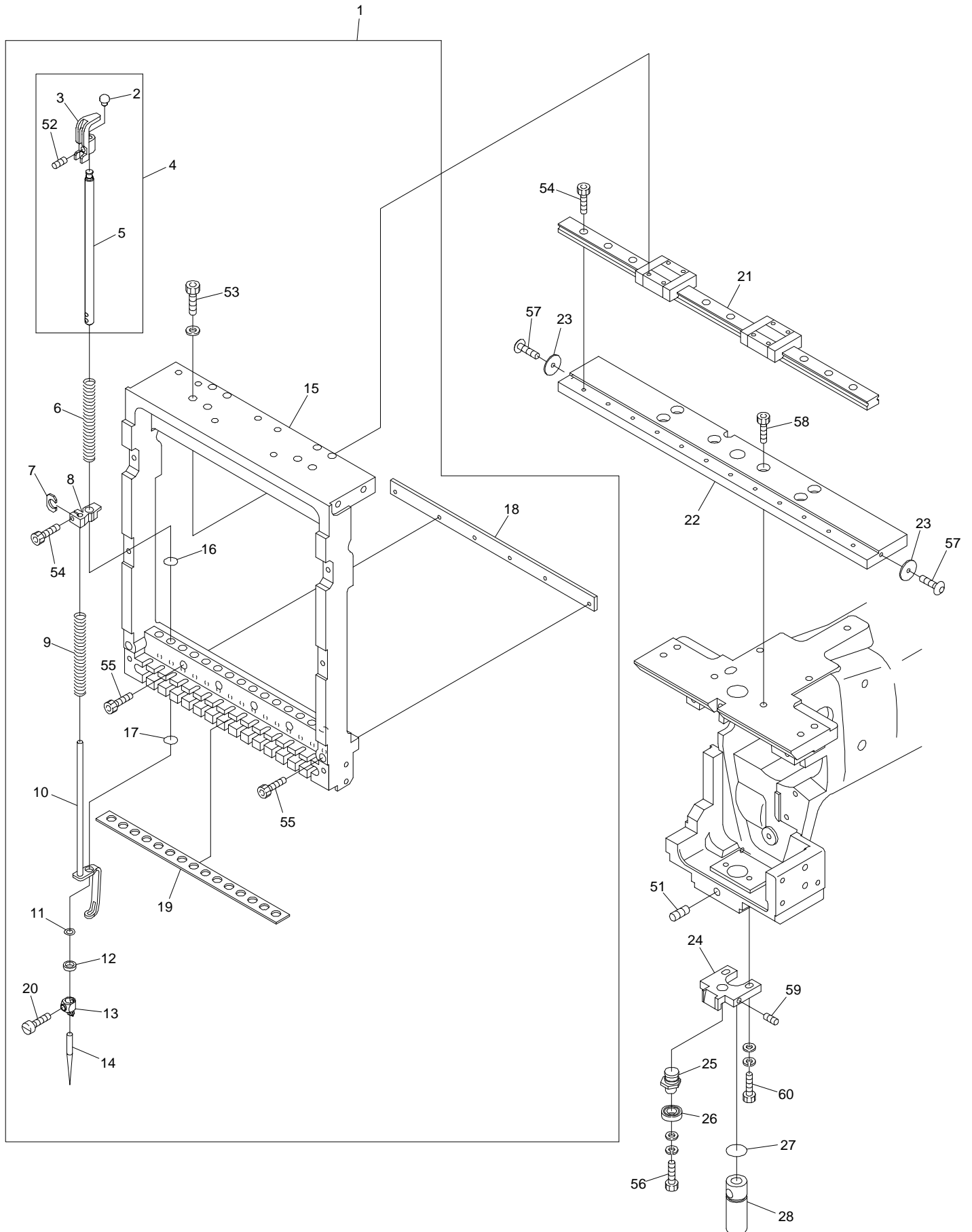
BENSME-ZN BEDSME-ZN-A BENYME-ZN BENT-ZN  
 BENRME-ZN BENBME-ZN

## 04A-1 NEEDLE BAR A (ZN)

ITEM	LIST NO.	DESCRIPTION	Q'TY	NOTE
1	HT230130	Needle bar cap	Hx9	
2	HT230151	Needle bar guide	Hx9	
3	HT230041	Needle bar	Hx9	
4	HT230810	Needle bar a'ssy	Hx9	
5	HT230251	Needle bar spring(Upper)	Hx9	
6	HT230263	Washer for set clamp	Hx9	
7	HT230330	Cloth winder stop latch set clamp	Hx9	
8	KX230251	Needle bar spring(Lower)	Hx9	
9	HT230143	Pressure foot	Hx9	
10	KF230910	O-ring(AN6227-5)	Hx9	
11	HT230120	Washer 2.4(YN)	Hx9	
12	HT230670	Needle clamp(With hook)	Hx9	
13	KF230250	Needle(DBK5-11)	Hx9	
14	KX230283	Slide block	Hx1	
15	KX230180	Needle bar felt	Hx1	
16	A9014055	O-ring(1-AS-7)	Hx9	
17	KF230920	O-ring(P7)	Hx9	
18	KX230040	Bearing plate	Hx1	
19	KX230010	LM base	Hx1	
20	KX230060	LM guide	Hx1	
21	KX230023	Base plate	Hx1	
22	KX230192	LM stopper	Hx2	
23		Hex.socket set screw M5x8	Hx2	
24	LA230140	Bearing guide	Hx1	
25	KX230050	Bearing pin	Hx1	
26	A9010065	Ball bearing 686zz	Hx1	
27	A9019037	O-ring(Bush lower S12.5 NOK)	Hx1	
28	LA230080	Slide shaft bush(Lower)	Hx1	
29	KF230240	Needle clamp screw(SM9/64 40)	Hx9	
30		Hex.socket bolt M3x8		
31		Hex.socket set screw M4x4		
32		Hex.socket bolt M3x25		
33		Hex.socket flush screw M3x25		
34		Hex.socket bolt M5x16(With washers)		
35		Hex.socket bolt M3x6		
36		Hex.socket bolt M4x6(With washers)		
37		Hex.socket button bolt M3x6		
38		Hex.socket bolt M5x12		
39		Hex.socket set screw(Dog point) M4x12		
40		Hex.socket bolt M4x15(With washers)		
41	LA230321	Slide block a'ssy	Hx1	



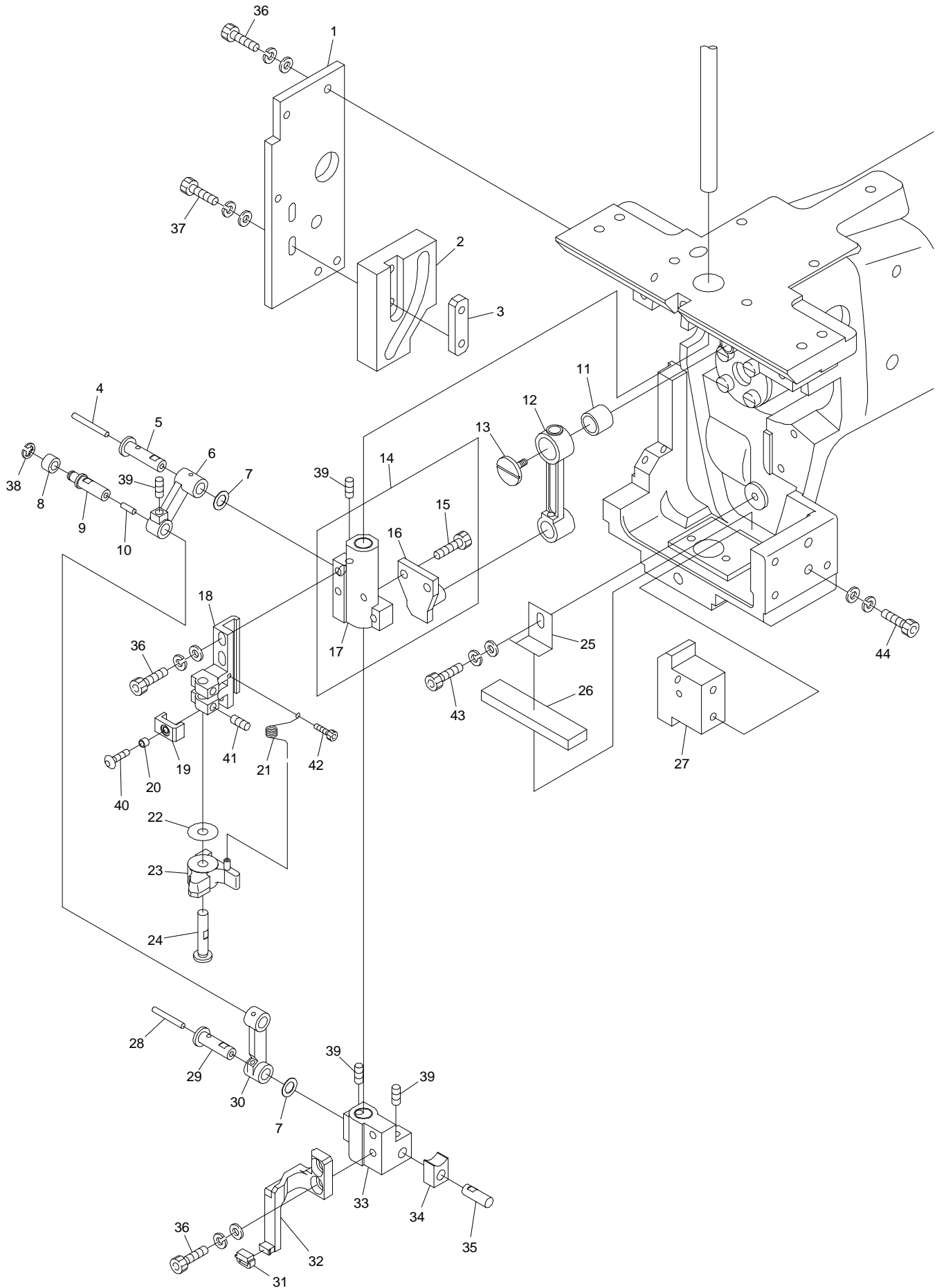
04A-2 Needle bar A (ZQ)



BENSME-ZQ BEDSME-ZQ-A BENYME-ZQ BENT-ZQ  
 BENRME-ZQ BENBME-ZQ



04B Needle bar B

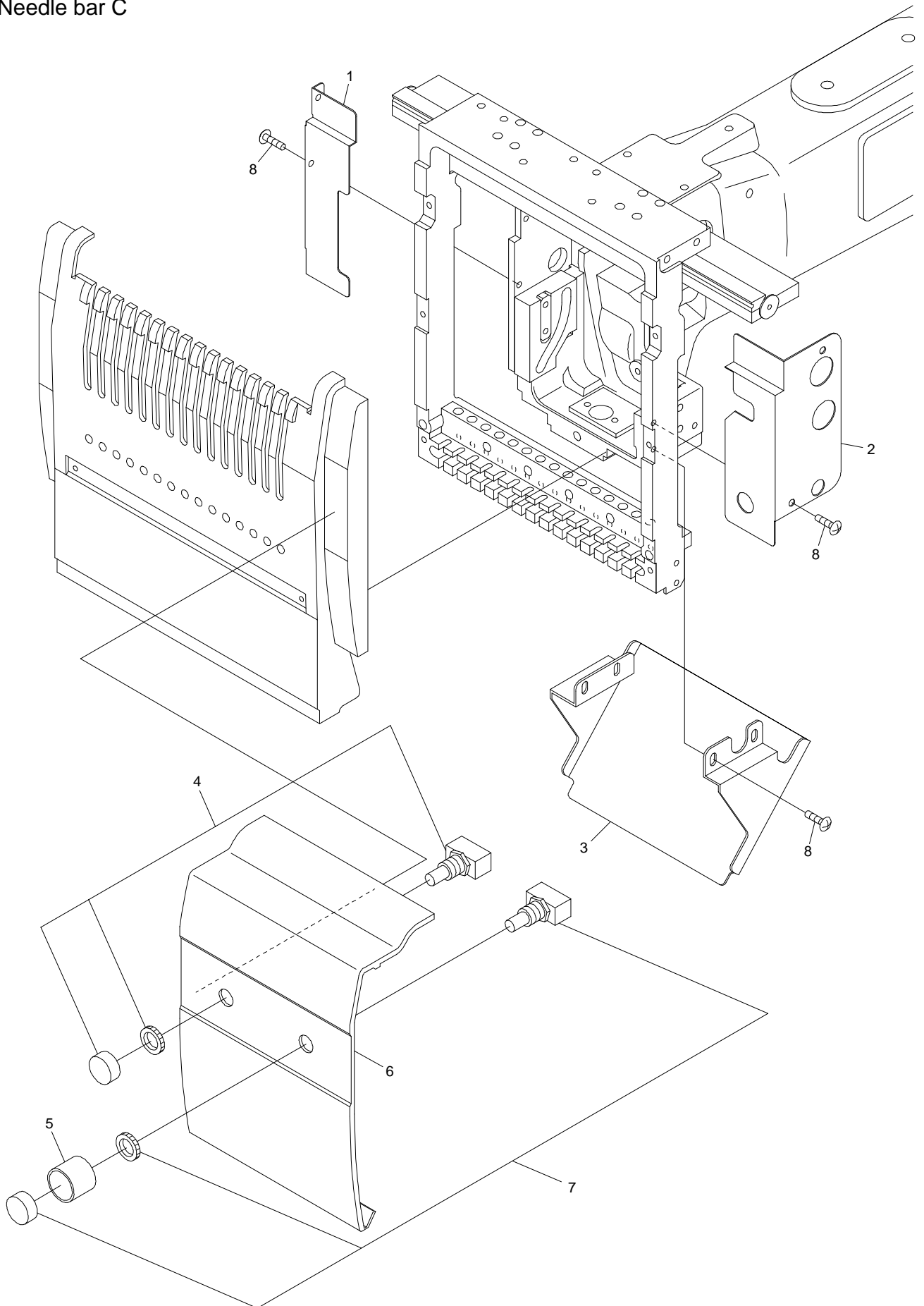


BENSME-ZN/ZQ BEDSME-ZN/ZQ-A BENYME-ZN/ZQ BENT-ZN/ZQ  
 BENRME-ZN/ZQ BENBME-ZN/ZQ

## 04B NEEDLE BAR B

ITEM	LIST NO.	DESCRIPTION	Q'TY	NOTE
1	LA230100	Presser foot cam plate	Hx1	
2	LA230150	Presser foot cam	Hx1	
3	HT230380	Cam tap plate	Hx1	
4	LA230290	Oil core(23mm)	Hx1	
5	LA230110	Link pin(Upper)	Hx1	
6	LA230040	Link(Upper)	Hx1	
7	HT230730	Shim ring(10 t=0.3)	Hx2	
8	KF230530	Roller(For take up lever)	Hx1	
9	LA230130	Link roller joint pin	Hx1	
10	HT230760	Oil core(8mm)	Hx1	
11	A9011115	Needle bearing(K9x12x10T2)	Hx1	
12	LA230060	Crank rod	Hx1	
13	KB230070	90°crank counter clockwise screw	Hx1	
14	LA230030	Driver slide a'ssy	Hx1	
15	A9019036	Hex.socket bolt M4x10(With mech)	Hx2	
16	LA230020	Driver slide pin	Hx1	
17	LA230010	Driver slide	Hx1	
18	LB230070	Needle bar driver fixing base	Hx1	
19	HT230520	Needle bar driver stopper	Hx1	
20	A9012368	Spacer(Roll bush)	Hx1	
21	HT230560	Needle bar driver return spring	Hx1	
22	A9012367	Shim ring(15 t=0.15)	Hx1	
23	HT230531	Needle bar driver	Hx1	
24	HT230280	Needle bar driver pin	Hx1	
25	LA230200	Felt plate	Hx1	
26	LA230210	Felt(Oil cleaner)	Hx1	
27	LA230160	Guide box	Hx1	
28	HT230770	Oil core(20mm)	Hx1	
29	LA230120	Link pin(Lower)	Hx1	
30	LA230050	Link(Lower)	Hx1	
31	HT230340	Presser foot support rubber	Hx1	
32	HT230370	Presser foot support	Hx1	
33	LA230070	Presser foot slide	Hx1	
34	HP231370	Square ball	Hx1	
35	LA230090	Square ball pin	Hx1	
36		Hex.socket bolt M4x12		
37		Hex.socket bolt M4x20		
38		E-ring(3)		
39		Hex.socket set screw M4x6(With nylon)		
40		Hex.socket button bolt M3x6		
41		Hex.socket set screw M4x4(With nylon)		
42		Hex.socket bolt M2.5x6		
43		Hex.socket bolt M4x8		
44		Hex.socket bolt M4x16		

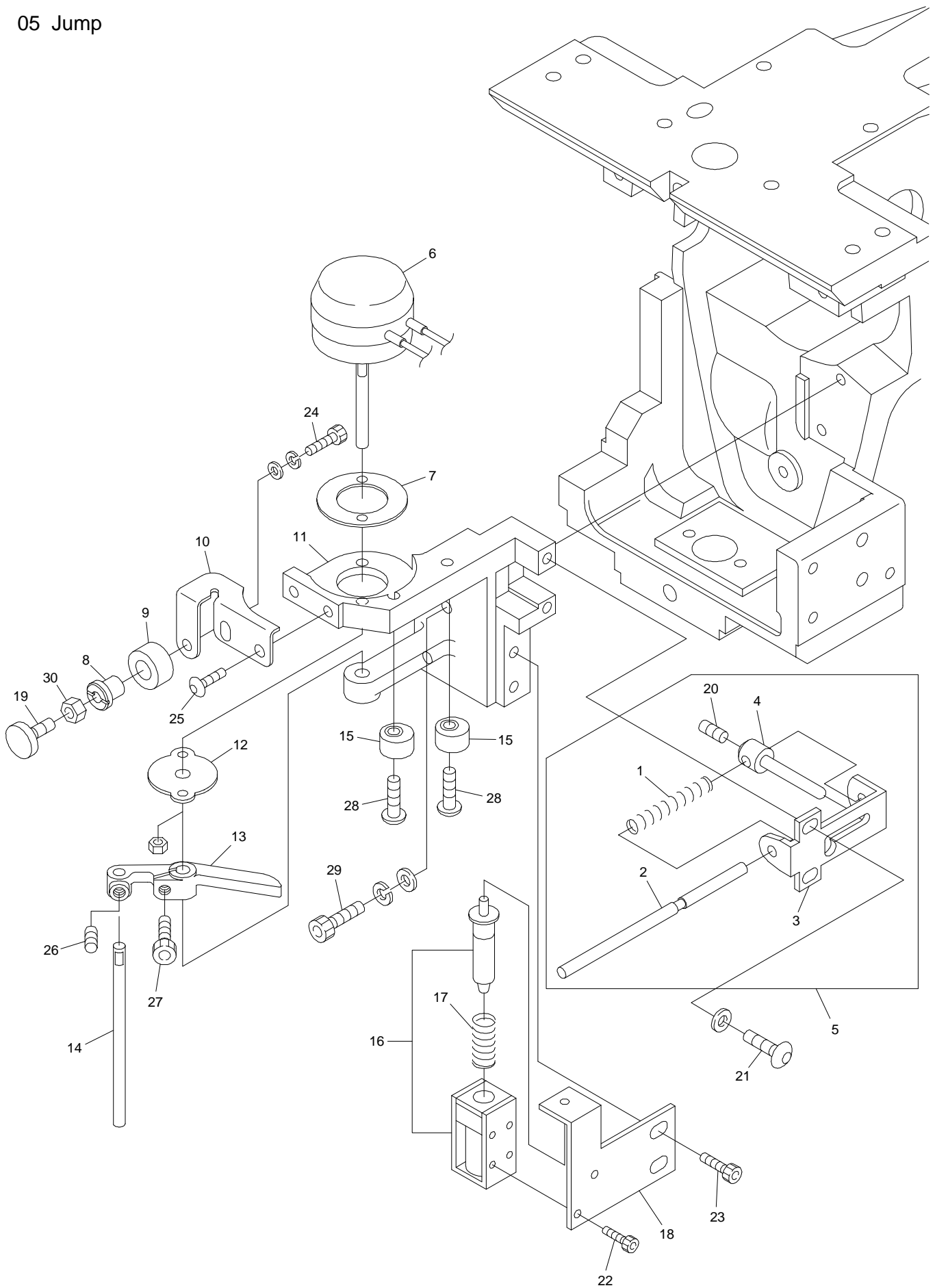
04C Needle bar C



BENSME-ZN/ZQ BEDSME-ZN/ZQ-A BENYME-ZN/ZQ BENT-ZN/ZQ  
BENRME-ZN/ZQ BENBME-ZN/ZQ



05 Jump

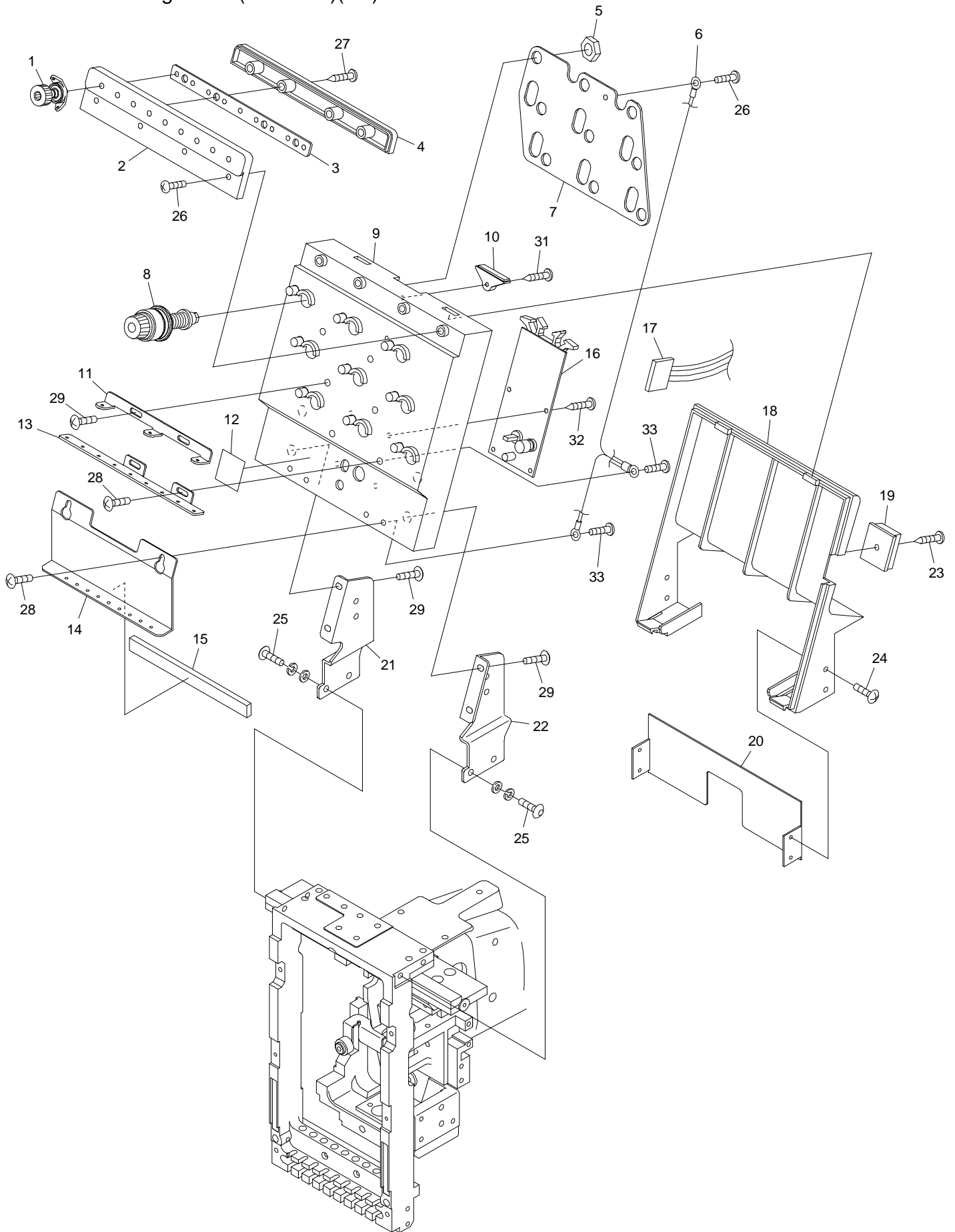


BENSME-ZN/ZQ BEDSME-ZN/ZQ-A BENYME-ZN/ZQ BENT-ZN/ZQ  
BENRME-ZN/ZQ BENBME-ZN/ZQ





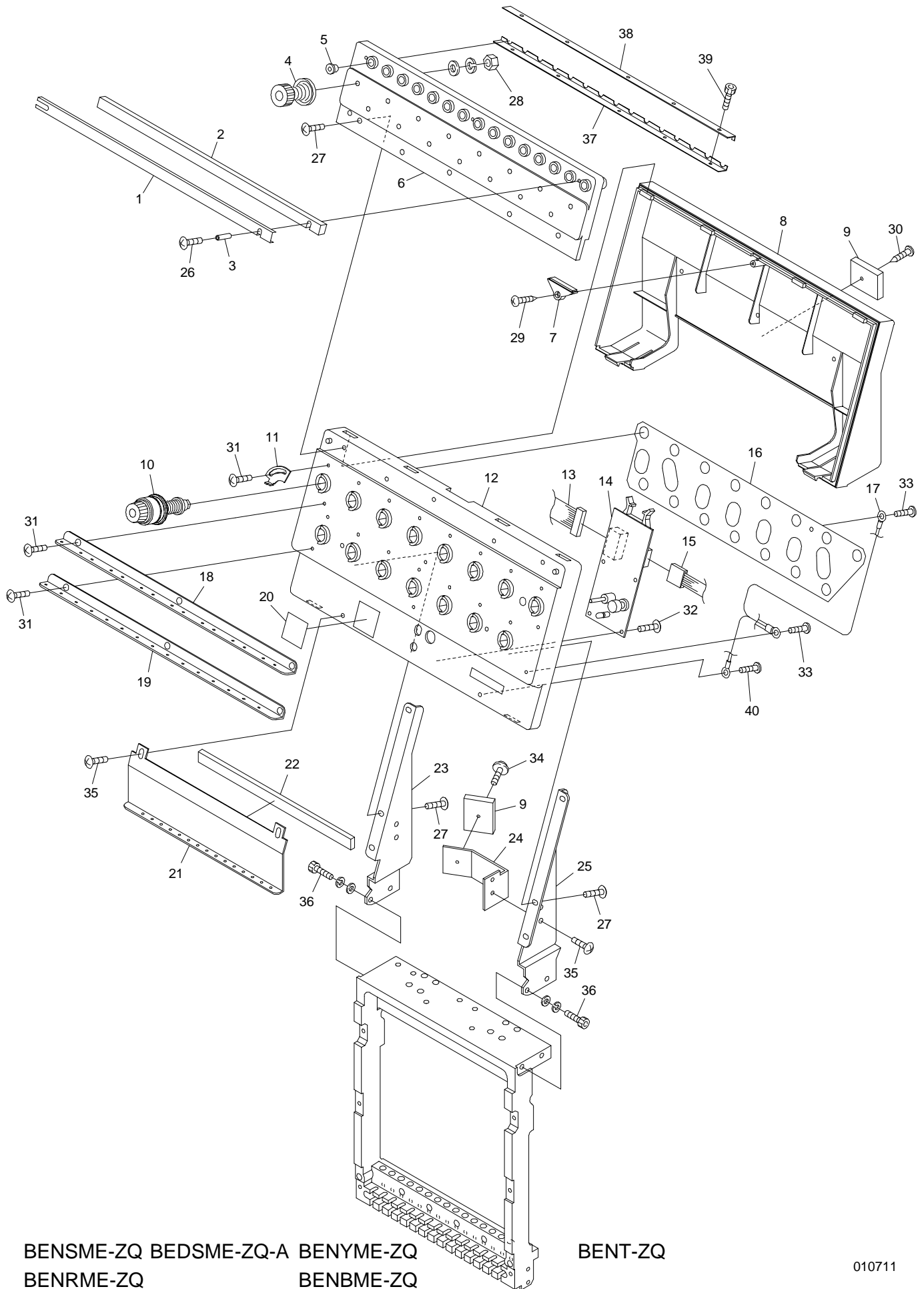
06A-1 Thread guide A (Standard)(ZN)



BENSME-ZN BENYME-ZN BENT-ZN  
BENRME-ZN BENBME-ZN



06A-2 Thread guide A (Standard)(ZQ)



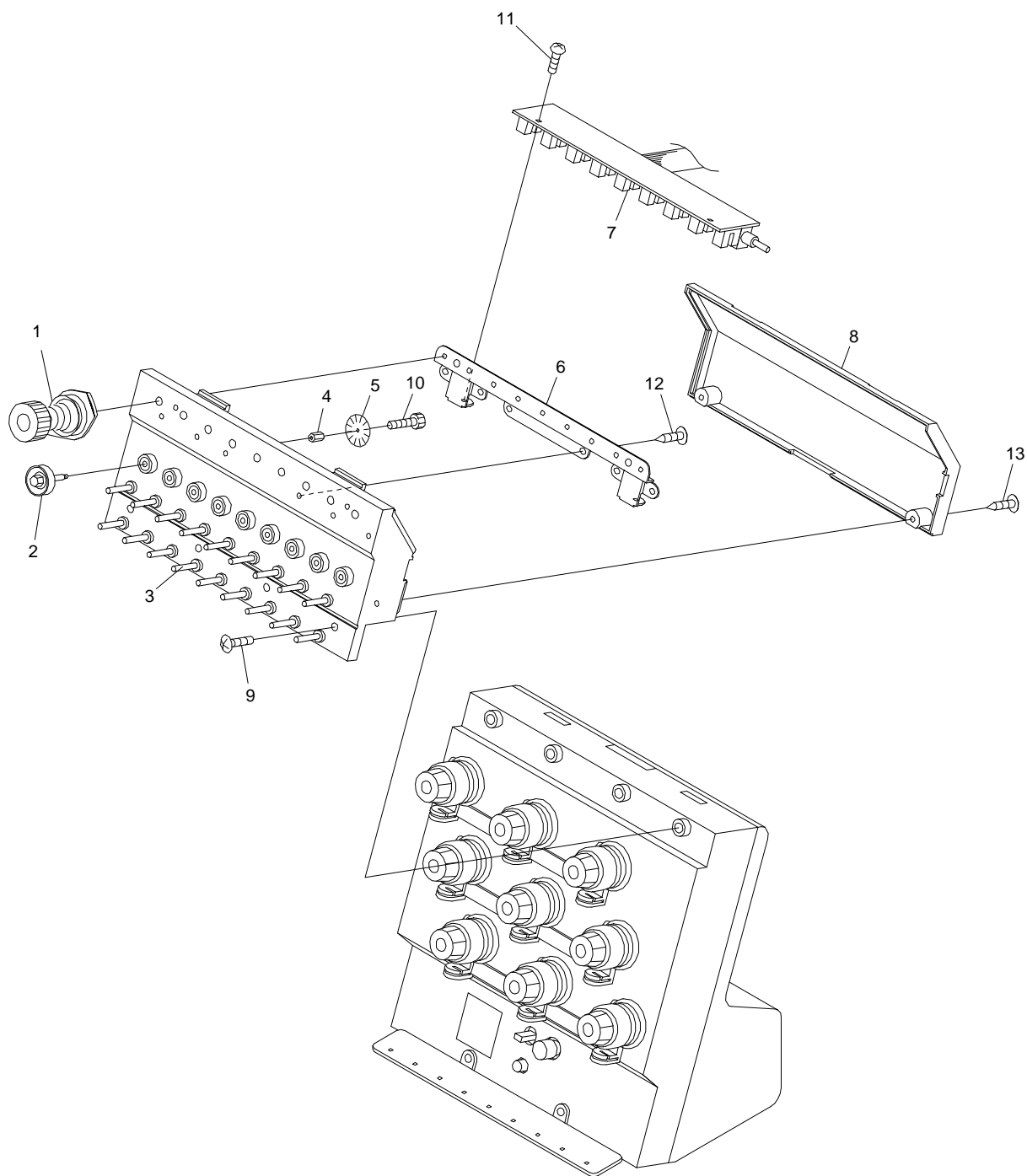
BENSME-ZQ BEDSME-ZQ-A BENYME-ZQ  
 BENRME-ZQ BENBME-ZQ

BENT-ZQ

## 06A-2 THREAD GUIDE A (STANDARD)(ZQ)

ITEM	LIST NO.	DESCRIPTION	Q'TY	NOTE
1	RD240291	Felt shaft	Hx1	
2	RD240301	Felt	Hx1	
3	A9012412	Spacer(3x17L)	Hx2	
4	RD240321	Thread tension a'ssy(ZQ)	Hx15	
5	HT240480	Thread collar(For thread stand,white)	Hx15	
6	RD240280	Thread tension base	Hx1	
7	HT240240	Blind cap	Hx1	
8	RD240030	Tension cover(For 15 needle)	Hx1	
9	A9068032	FCW clamp(FCW-26)	Hx1	NT
			Hx2	Except for NT
10	RD240153	Dial thread tension unit complete(BEMAX)	Hx15	
11	RD240111	Thread spring adjusting plate	Hx15	
12	RD240022	Tension base case a'sssy	Hx1	
13	EBY01690	H1899 pin pin cable	Hx1	
14	EBY01641	4640 head switch board(With BEMAX cable)	Hx1	
15	EBY01700	H1900 additional pin pin cable	Hx1	
16	RD240121	Tension earth plate	Hx1	
17	A9053077	Tension base earth cable ZQ	Hx1	
18	RD240330	First thread guide plate(ZQ-A)	Hx1	
19	RD240340	Second thread guide plate(ZQ-A)	Hx1	
20		Number label	Hx1	Except for NT
21	LA240030	Second thread guide	Hx1	
22	LA240040	Sponge rubber	Hx1	
23	MG240010	Tension base(L)	Hx1	
24	RD240090	Cord holder	Hx1	Except for NT
25	MG240000	Tension base(R)	Hx1	
26		Truss screw M3x25		
27		Truss screw M4x10		
28		Hex.nut SM11/64		
29		Tapping screw 3x12		
30		Tapping pan screw 3x25		
31		Truss screw M3x5		
32		Truss screw M3x6		
33		Pan screw M3x6		
34		Pan screw for flange M3x8		Except for NT
35		Truss screw M4x6		
36		Hex.socket bolt M5x10(With washers)		
37	RD240440	Tube holder(Lower)	Hx1	
38	RD240430	Tube holder(Upper)	Hx1	
39		Hex.socket bolt M3x15		
40		Pan screw M4x6		

06B-1 Thread guide B (Lower thread sensorium)(ZN)



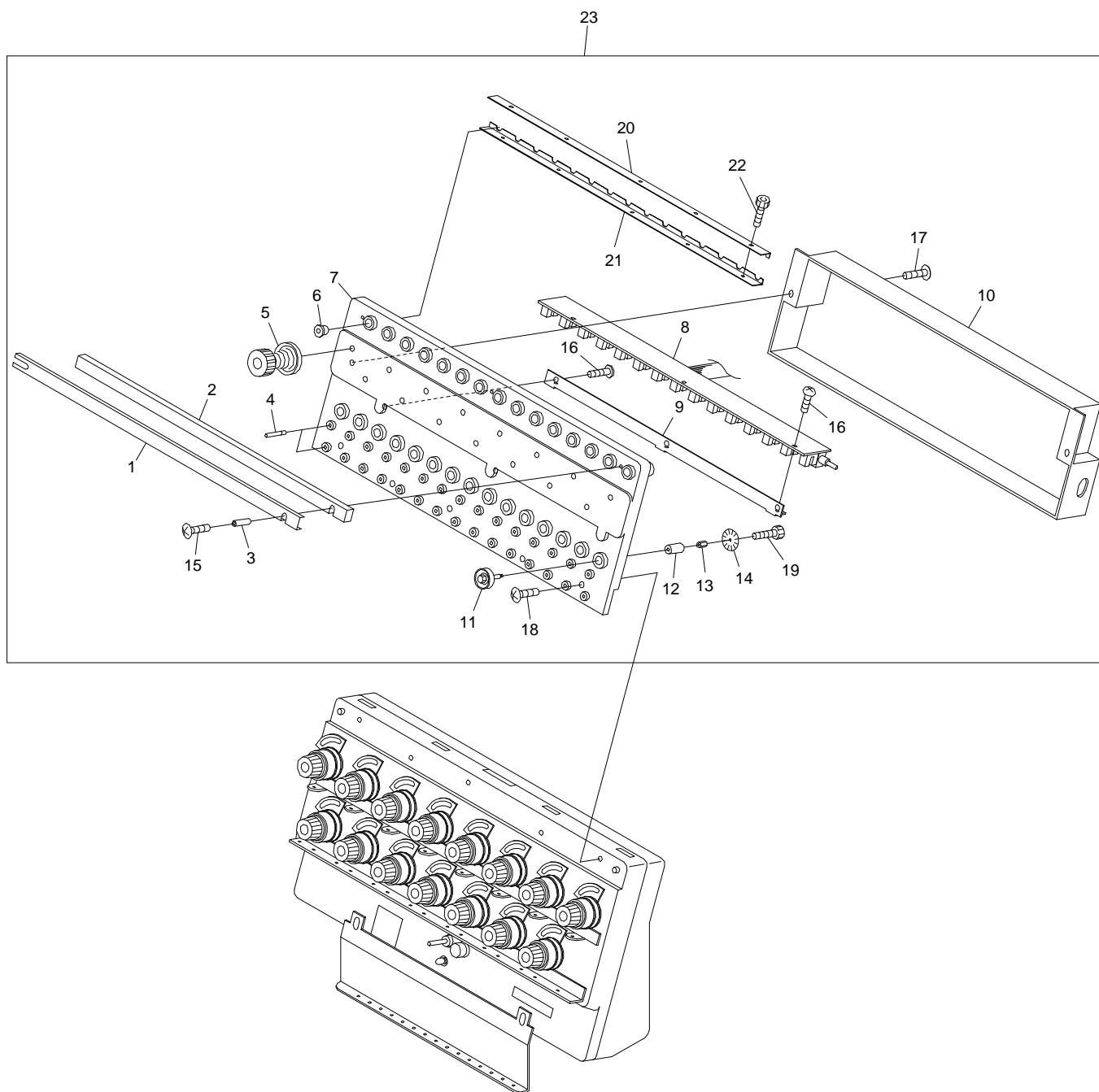
BENS-YN BENS-YN-L BENY-YN  
 BENR-YN BENR-YN-L BENB-YN

BENSME-ZN BENYME-ZN BENT-ZN BENSHE-YN BENSHE-YN-S BENSHE-YN-B BENSHE-YN-BS  
 BENRME-ZN BENBME-ZN BENRH-YN BENRH-YN-S BENRH-YN-B BENRH-YN-BS

BENYH-YN BENYH-YN-C BENSHE-YN BENYHE-YN BENYHE-YN-B BENYHE-YN-C  
 BENBH-YN BENRHE-YN BENBHE-YN BENBHE-YN-B BENBHE-YN-C



06B-2 Thread guide B (Lower thread sensorium)(ZQ)

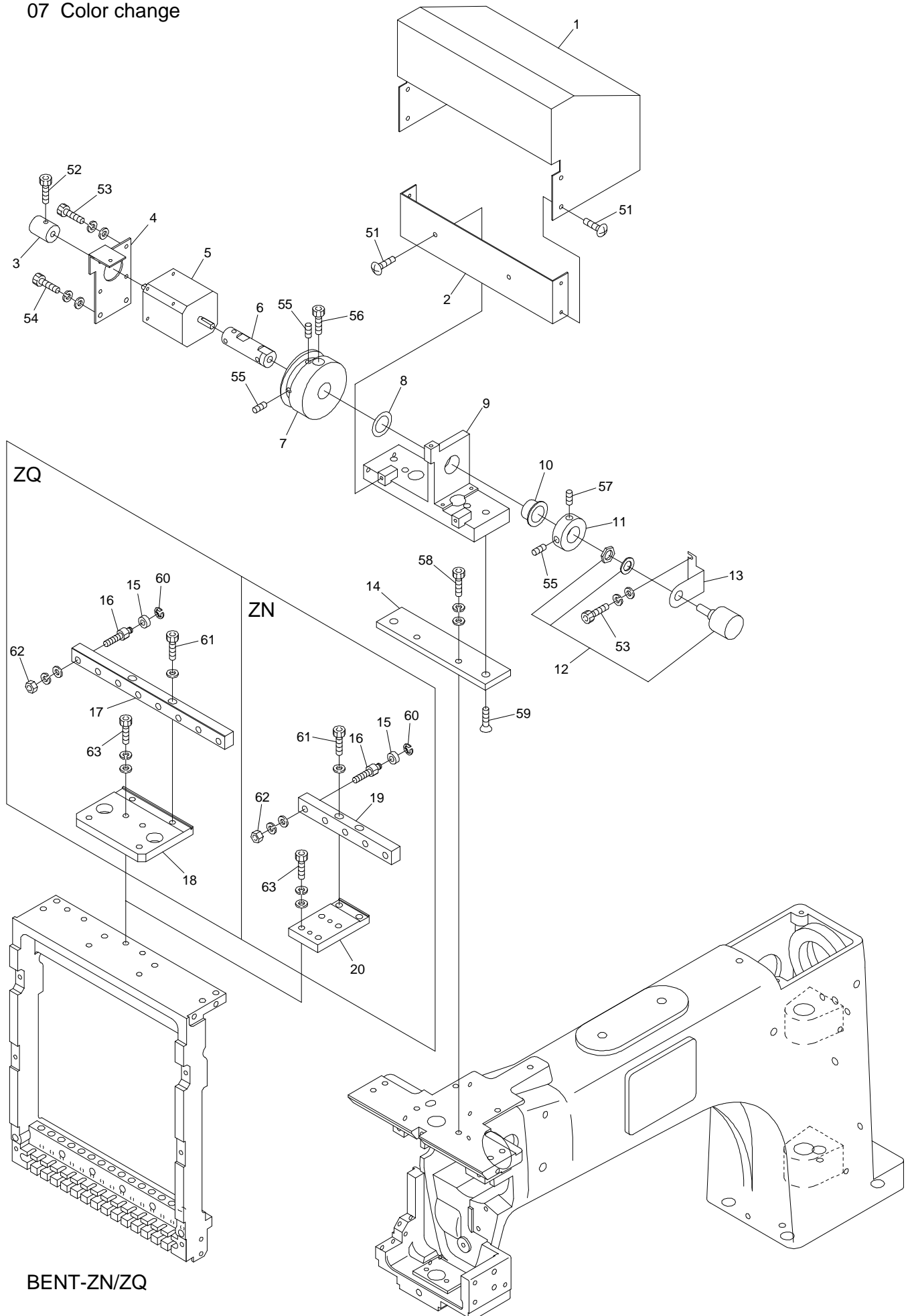


BENSME-ZQ BEDSME-ZQ-A BENYME-ZQ BENT-ZQ  
 BENRME-ZQ BENBME-ZQ





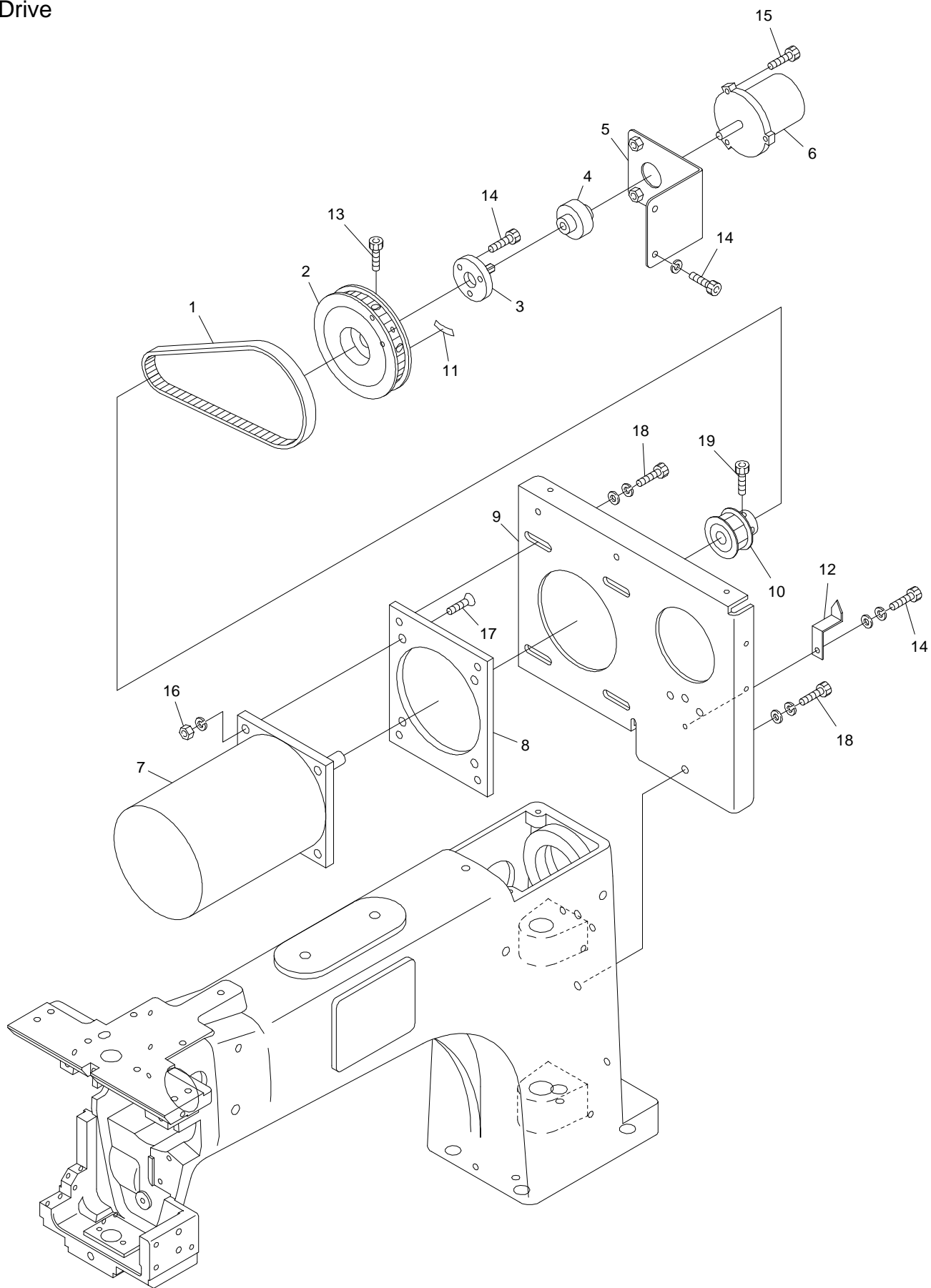
# 07 Color change



BENT-ZN/ZQ

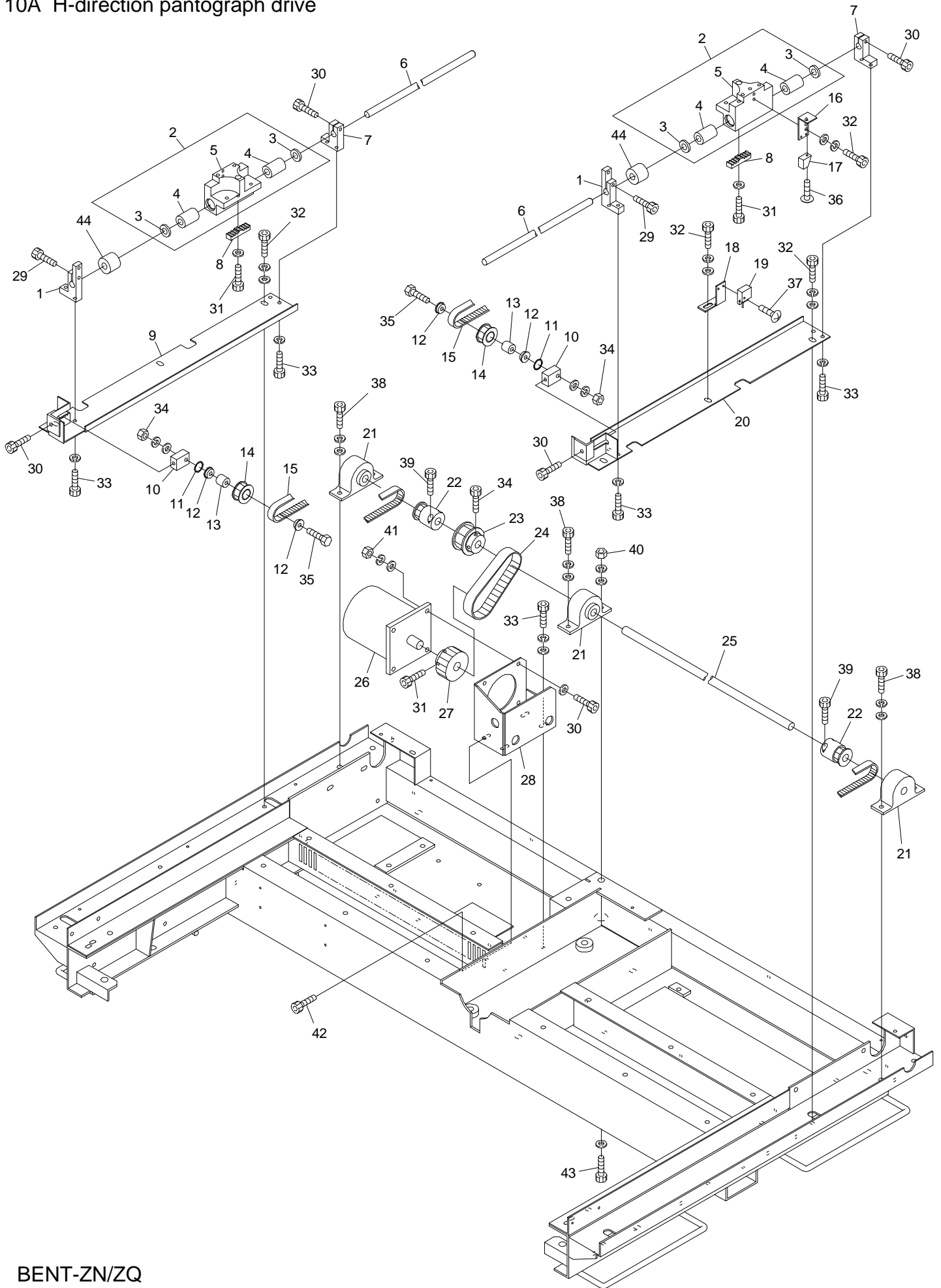


# 08 Drive





# 10A H-direction pantograph drive



## 10A H - DIRECTION PANTOGRAPH DRIVE

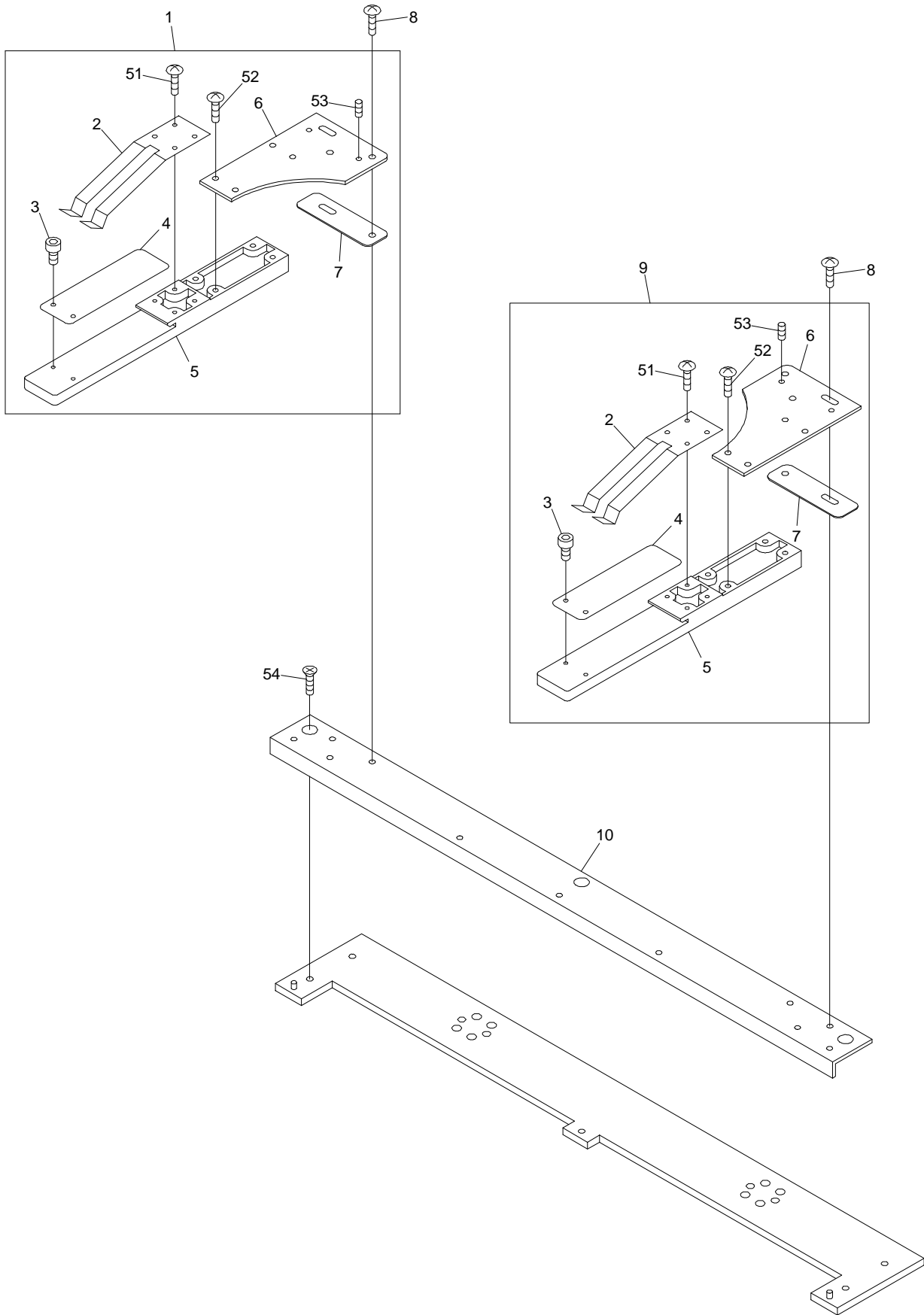
ITEM	LIST NO.	DESCRIPTION	Q'TY	NOTE
1	MF480150	Shaft holder	2	
2	ZMG480000	H-shaft housing(For LM) ASSY	2	
3	A9011123	Felt seal(FLM10)	4	
4	A9011103	Metal bush(SMZ10-20)	4	
5	MG480000	H-shaft housing(For LM)	2	
6	A9011235	Guide shaft(SF10g6-450L)	2	
7	MF481210	H-support bracket rear	2	
8	MF480190	H-belt clamp	2	
9	MF481170	H-base bracket left	1	
10	MF481300	H-pulley adjust block	2	
11	A9010106	Shim ring(SP-006050)	2	
12	A9010039	Bearing with flange	4	
13	A9012406	Roll bush(6x6.5)	2	
14	MF481240	H-timing pulley front	2	
15	A9020184	H-timing belt(100S5M1295)	1	
16	MF480341	Magnet bracket	1	
17	A9052030	Magnet	1	
18	MF480331	Origin point sensor bracket	1	
19	A9052031	Magnetic memory promixing switch(MH-601AM)	1	
20	MF481180	H-base bracket right	1	
21	A9011236	Pillow block 12mm(SBPP201F)	3	
22	MF481230	H-timing pulley rear	2	
23	MF480130	H-shaft motor timing pulley	1	
24	A9020187	Timing belt(150S5M375)	1	
25	MF481290	H-drive connecting shaft 12mm	1	
26	MF480401	Pantograph drive motor(TS3630N1205E10)	1	
27	MF480141	H-shaft motor drive pulley	1	
28	MG480040	H-pulse motor bracket(ZQ)	1	
29		Hex.socket bolt M4x25		
30		Hex.socket bolt M5x20		
31		Hex.socket bolt M5x15		
32		Hex.socket bolt M6x15		
33		Hex.socket bolt M5x12		
34		Hex.nut M6		
35		Hex.bolt M6x45		
36		Truss screw M3x6		
37		Truss screw M3x8		
38		Hex.socket bolt M8x18		
39		Hex.socket bolt M4x15		
40		Hex.nut M8		
41		Hex.nut M5		
42		Hex.socket bolt M5x22		
43		Hex.socket bolt M8x80		
44	MF480490	Safety stopper	2	





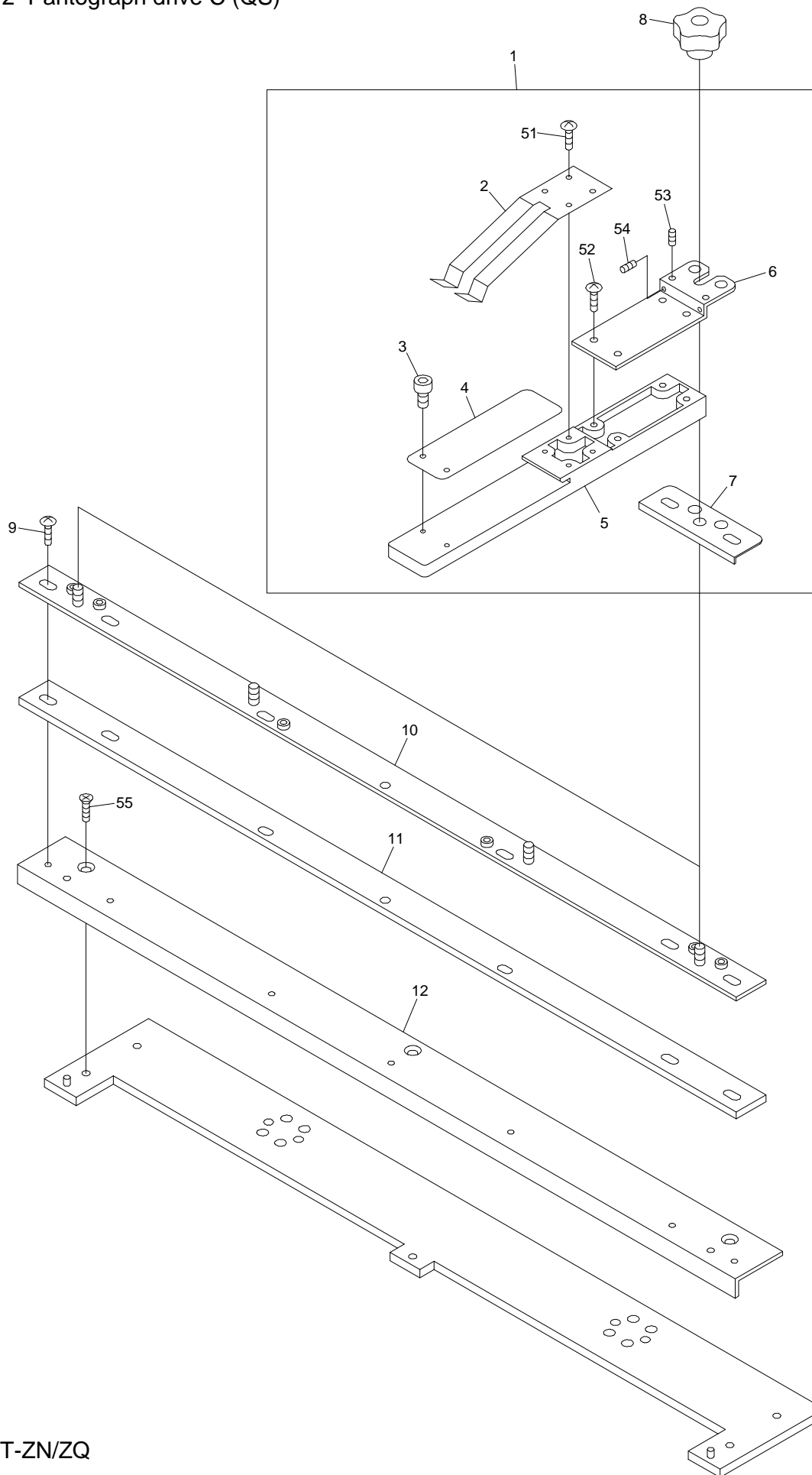


# 10C-1 Pantograph drive C





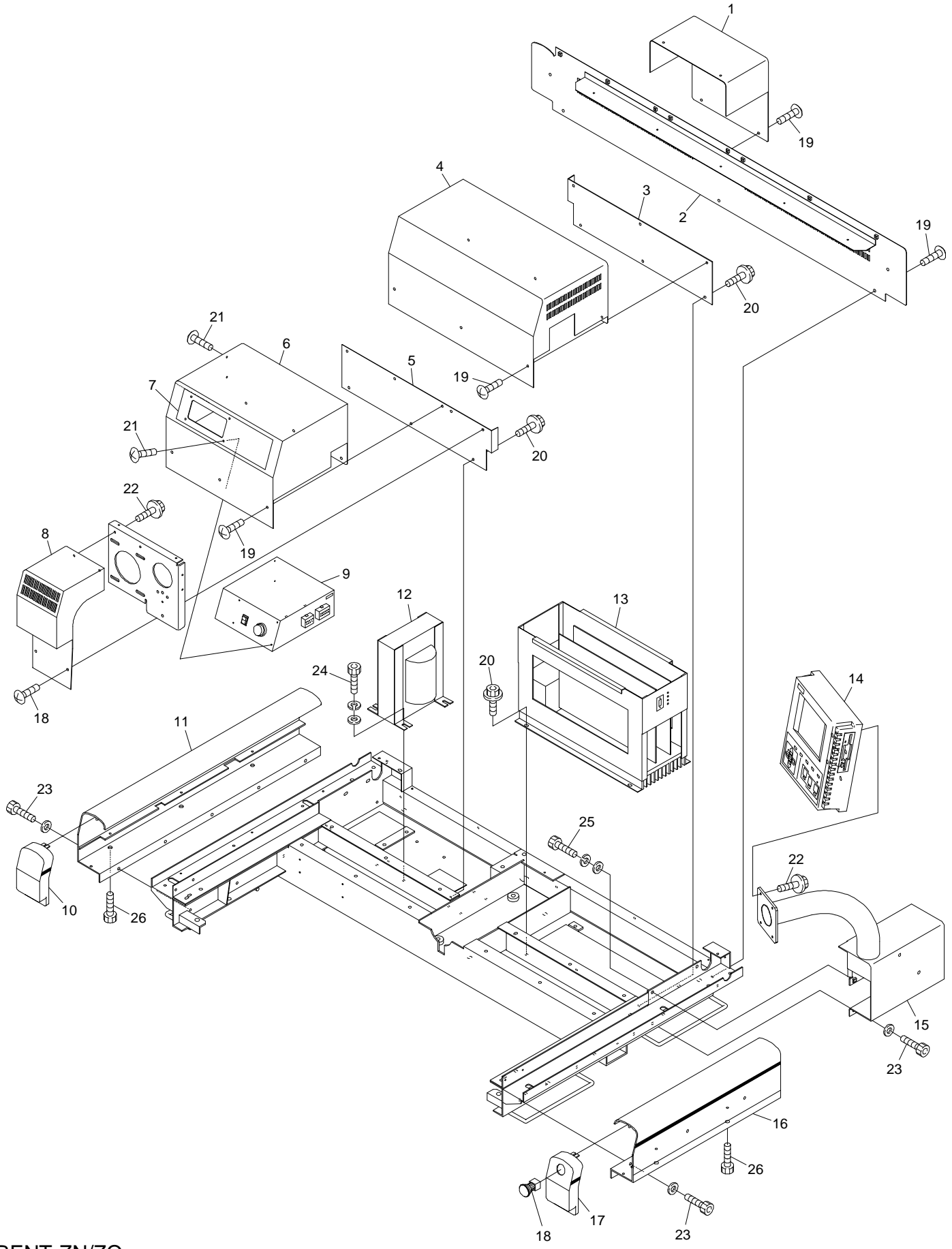
10C-2 Pantograph drive C (QS)



BENT-ZN/ZQ



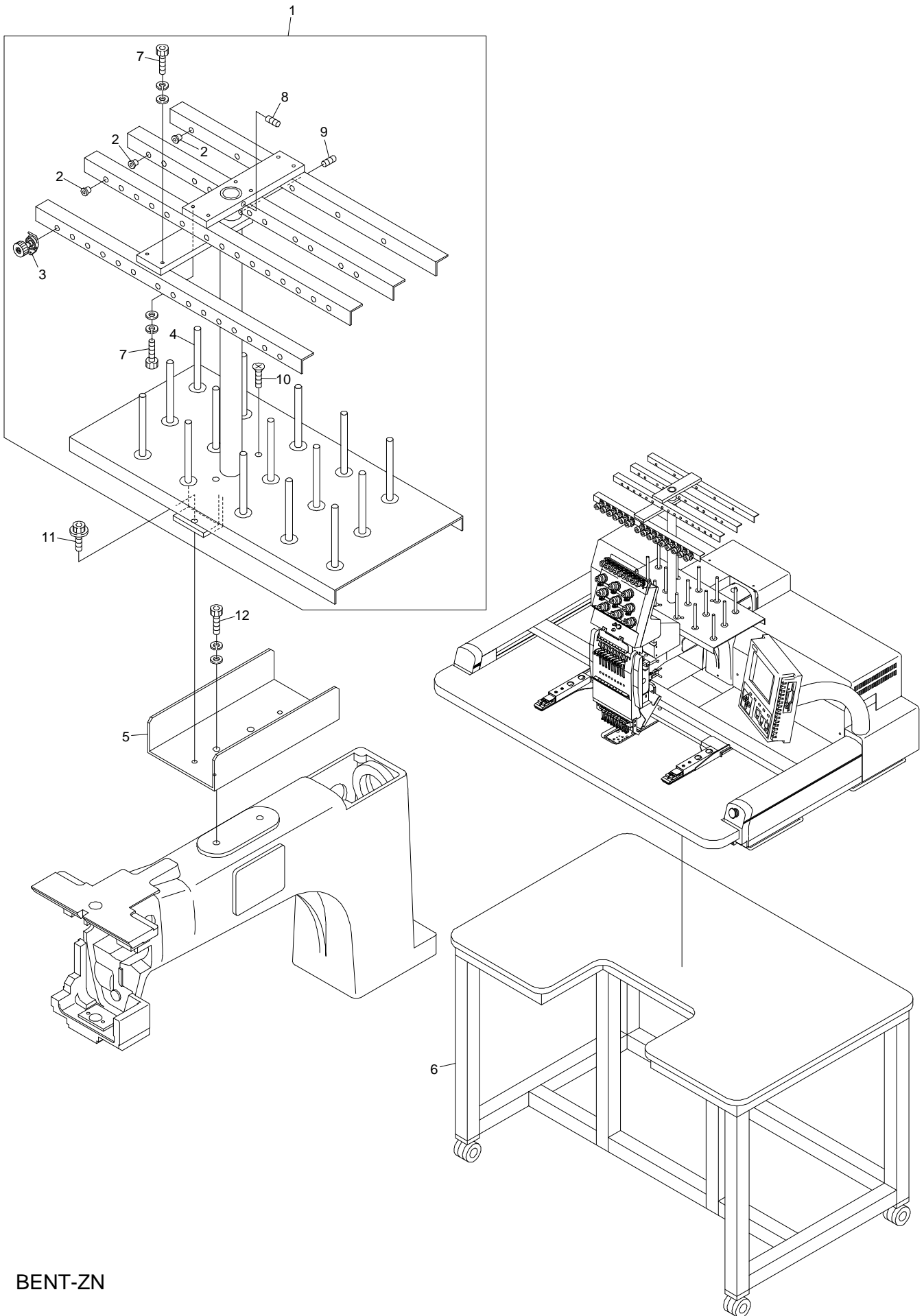
# 11 Control



BENT-ZN/ZQ



# 12-1 Accessories (ZN)

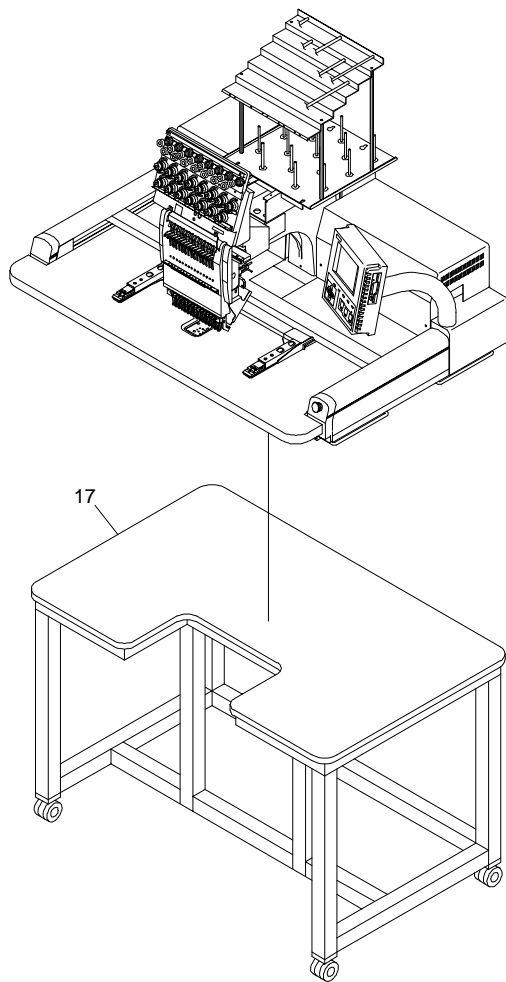
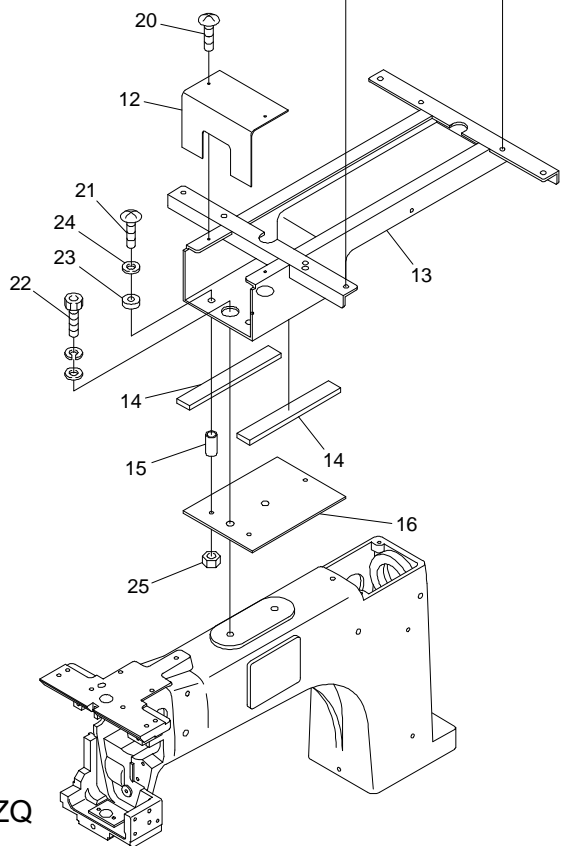
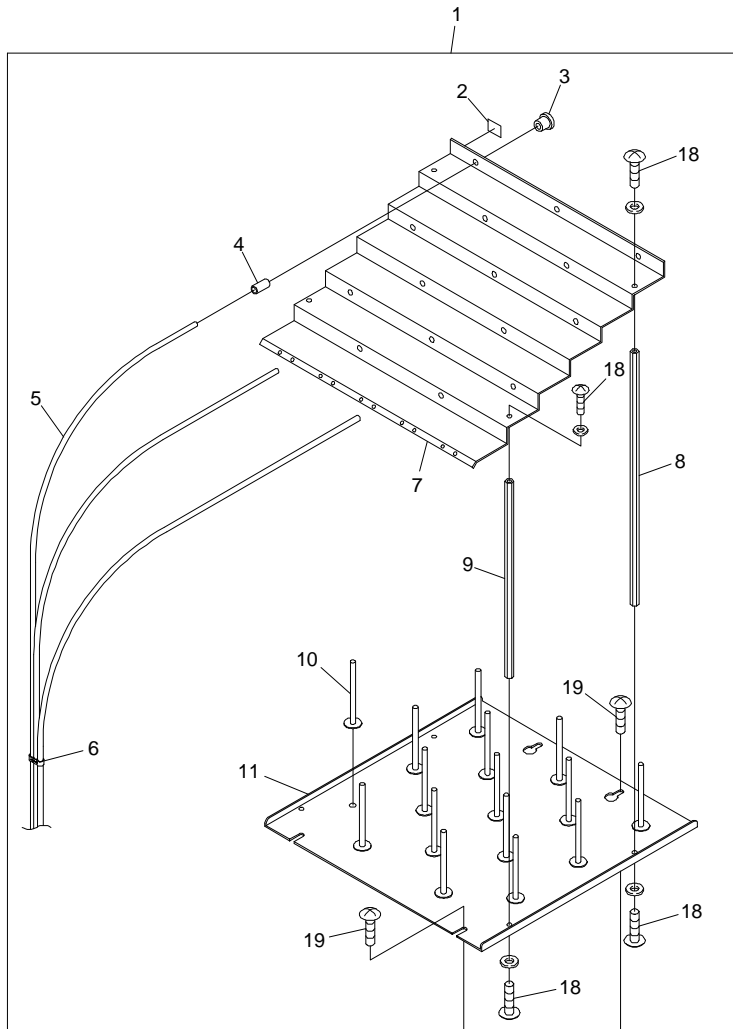


BENT-ZN





# 12-2 Accessories (ZQ)



BENT-ZQ



## INDEX

LIST No.	SECTION No.	ITEM	LIST No.	SECTION No.	ITEM
A9010017	01A	8	A9052030	10B	4
A9010039	10A	12	A9052031	10A	19
A9010063	07	15	A9052031	10B	24
A9010065	04A-1	26	A9052078	02B	1
A9010065	04A-2	26	A9053077	06A-2	17
A9010106	10A	11	A9056030	02A	12
A9010109	07	8	A9056031	02C	1
A9011103	10A	4	A9056036	05	6
A9011115	04B	11	A9056037	02D	23
A9011115	04B	11	A9068032	06A-1	3
A9011123	10A	3	A9068032	06A-2	9
A9011235	10A	6	A9075117	01A	11
A9011236	10A	21	A9075122	03-1	1
A9011237	10B	14	A9075122	03-2	1
A9011241	07	10	A9075123	03-1	2
A9012007	01A	19	A9075123	03-2	2
A9012027	01B	21	BMG480020	10B	12
A9012114	02A	25	BMG710020	12-2	1
A9012127	02D	19	EAY039A1	11	14
A9012164	03-1	14	EAY039A2	11	13
A9012164	03-2	13	EAY039A3	11	12
A9012367	04B	22	EAY039A5A	11	9
A9012367	04B	22	EBY01110	06B-1	7
A9012368	02D	15	EBY01621	06A-1	12
A9012368	04B	20	EBY01625	06A-1	32
A9012368	04B	20	EBY01641	06A-2	14
A9012406	10A	13	EBY01690	06A-2	13
A9012412	06A-2	3	EBY01700	06A-2	15
A9012412	06B-2	3	EBY01710	11	18
A9012413	12-2	15	EBY01720	06B-2	8
A9012433	10C-2	8	HB230270	03-1	7
A9013066	02A	10	HB230270	03-2	6
A9014055	04A-1	16	HB230560	05	7
A9014055	04A-2	16	HB230580	05	12
A9019033	00	3	HB230650	03-1	9
A9019036	04B	15	HB230650	03-2	8
A9019036	04B	15	HB240020	05	13
A9019037	04A-1	27	HB240030	05	14
A9019037	04A-2	27	HB240041	05	15
A9020181	08	1	HB240110	05	1
A9020182	10B	1	HB560060	05	17
A9020184	10A	15	HB560210	05	16
A9020187	10A	24	HP231370	04B	34
A9052028	02C	4	HP231370	04B	34
A9052030	10A	17	HP231390	01A	4

LIST No.	SECTION No.	ITEM	LIST No.	SECTION No.	ITEM
HP241480	12-1	3	HT230730	04B	7
HS210031	01B	20	HT230760	04B	10
HS210051	02A	17	HT230760	04B	10
HS210080	02A	16	HT230770	04B	28
HS210300	02A	18	HT230770	04B	28
HT220061	01B	32	HT230810	04A-1	4
HT230041	04A-1	3	HT240062	06A-1	10
HT230041	04A-2	5	HT240100	06B-2	14
HT230090	03-1	11	HT240101	06B-1	5
HT230100	03-1	12	HT240120	06A-1	1
HT230120	04A-1	11	HT240150	06A-1	4
HT230120	04A-2	12	HT240160	06A-1	5
HT230130	04A-1	1	HT240170	06A-1	6
HT230130	04A-2	2	HT240180	06A-1	7
HT230143	04A-1	9	HT240211	06A-1	15
HT230143	04A-2	10	HT240220	06A-1	16
HT230151	04A-1	2	HT240230	06A-1	17
HT230151	04A-2	3	HT240240	06A-1	18
HT230190	04A-2	4	HT240240	06A-2	7
HT230220	05	9	HT240250	06B-1	3
HT230251	04A-1	5	HT240270	06B-1	8
HT230251	04A-2	6	HT240280	06B-1	6
HT230261	04A-2	7	HT240290	06B-1	2
HT230263	04A-1	6	HT240290	06B-2	11
HT230280	04B	24	HT240300	06B-2	4
HT230280	04B	24	HT240310	06B-2	12
HT230330	04A-1	7	HT240331	06A-1	19
HT230330	04A-2	8	HT240340	06B-1	1
HT230340	04B	31	HT240391	06A-1	11
HT230340	04B	31	HT240480	06A-2	5
HT230370	04B	32	HT240480	06B-2	6
HT230370	04B	32	HT240480	12-1	2
HT230380	04B	3	HT240480	12-2	3
HT230380	04B	3	HT240523	06A-1	14
HT230520	02D	14	HT240580	05	4
HT230520	04B	19	HT270063	02D	11
HT230520	04B	19	HT270181	02A	6
HT230531	04B	23	HT710000	12-1	4
HT230531	04B	23	HT710000	12-2	10
HT230560	04B	21	KB230010	01A	18
HT230560	04B	21	KB230030	01A	22
HT230620	05	8	KB230050	01A	20
HT230670	04A-1	12	KB230070	04B	13
HT230670	04A-2	13	KB230070	04B	13
HT230730	04B	7	KB230100	03-1	15

LIST No.	SECTION No.	ITEM	LIST No.	SECTION No.	ITEM
KB230100	03-2	14	KL220020	01A	23
KB230110	03-1	16	KL220030	01A	3
KB230110	03-2	15	KL220040	01A	7
KB240040	05	3	KL220050	01A	16
KC220210	01B	6	KL220060	01B	11
KC250482	01B	13	KL220070	01B	18
KC251330	01A	13	KL220080	01A	5
KC270101	02D	24	KL220090	01A	9
KC271001	02A	19	KL220120	01B	15
KC271120	02A	24	KL220130	01A	2
KC271940	02A	15	KL220140	01A	17
KC510240	08	4	KL220140	01B	5
KF220130	01A	6	KL220150	01A	12
KF220230	01B	4	KL250051	01A	24
KF220271	01B	10	KL270091	02C	8
KF220290	01B	17	KL270101	02C	9
KF220460	01A	15	KL270110	02C	7
KF220470	01B	12	KL270120	02C	10
KF220480	01B	19	KL270130	02C	11
KF220530	01B	2	KL270260	02C	3
KF220750	01B	3	KL270450	02C	6
KF221020	01B	1	KN270952	02A	9
KF230240	04A-1	29	KN270961	02A	7
KF230240	04A-2	20	KN272010	02A	11
KF230250	04A-1	13	KN272400	02C	5
KF230250	04A-2	14	KN272401	02A	14
KF230420	01A	21	KN540510	06B-1	4
KF230500	03-1	13	KN540510	06B-2	13
KF230530	04B	8	KT230031	03-1	10
KF230530	04B	8	KT230032	03-2	9
KF230582	02D	6	KT230051	03-1	8
KF230640	02A	27	KX230010	04A-1	19
KF230680	03-2	12	KX230023	04A-1	21
KF230910	04A-1	10	KX230040	04A-1	18
KF230910	04A-2	11	KX230050	04A-1	25
KF230920	04A-1	17	KX230050	04A-2	25
KF230920	04A-2	17	KX230060	04A-1	20
KF250220	02D	5	KX230070	03-1	6
KF250231	02D	3	KX230071	03-2	5
KF250241	02D	4	KX230100	05	10
KF250250	02D	2	KX230110	03-1	23
KF730500	10C-1	8	KX230120	03-1	27
KF730520	10C-2	9	KX230120	03-2	23
KL220000	01A	1	KX230130	03-1	22
KL220010	01A	26	KX230140	03-1	25

LIST No.	SECTION No.	ITEM	LIST No.	SECTION No.	ITEM
KX230141	03-2	19	KX330280	07	20
KX230151	03-1	26	KX330320	06A-1	2
KX230151	03-2	18	KX330330	06A-1	13
KX230162	03-1	4	KX790000	03-1	17
KX230180	04A-1	15	LA210010	01A	25
KX230192	04A-1	22	LA210081	01B	14
KX230192	04A-2	23	LA230010	04B	17
KX230200	03-1	21	LA230010	04B	17
KX230251	04A-1	8	LA230020	04B	16
KX230251	04A-2	9	LA230020	04B	16
KX230283	04A-1	14	LA230030	04B	14
KX230310	03-1	24	LA230030	04B	14
KX230310	03-2	20	LA230040	04B	6
KX240000	06A-1	21	LA230040	04B	6
KX240010	06A-1	20	LA230050	04B	30
KX240020	03-1	19	LA230050	04B	30
KX240031	06A-1	9	LA230060	04B	12
KX240051	05	2	LA230060	04B	12
KX240150	06A-1	35	LA230070	04B	33
KX250030	03-1	20	LA230070	04B	33
KX250070	04C	2	LA230080	04A-1	28
KX250080	01B	7	LA230080	04A-2	28
KX250080	02A	4	LA230090	04B	35
KX250100	03-1	18	LA230090	04B	35
KX250110	06A-1	33	LA230100	04B	1
KX270000	02A	21	LA230100	04B	1
KX270010	02A	8	LA230110	04B	5
KX270023	02A	3	LA230110	04B	5
KX270050	02C	13	LA230120	04B	29
KX270070	02C	15	LA230120	04B	29
KX270080	02D	12	LA230130	04B	9
KX270090	02D	9	LA230130	04B	9
KX270100	02D	8	LA230140	04A-1	24
KX270110	02D	7	LA230140	04A-2	24
KX270120	02D	10	LA230150	04B	2
KX270230	02D	1	LA230150	04B	2
KX270283	02A	1	LA230160	04B	27
KX270300	02D	22	LA230160	04B	27
KX270310	02D	20	LA230170	03-1	5
KX270320	02D	17	LA230171	03-2	4
KX270350	02D	21	LA230200	04B	25
KX270360	02D	16	LA230200	04B	25
KX270370	02C	14	LA230210	04B	26
KX270430	02A	20	LA230210	04B	26
KX330160	07	16	LA230221	04A-2	22

LIST No.	SECTION No.	ITEM	LIST No.	SECTION No.	ITEM
LA230231	04A-2	15	LA730650	10C-2	2
LA230251	03-2	16	LA730660	10C-1	1
LA230260	03-2	3a	LA730670	10C-1	9
LA230281	03-2	24	LB230070	04B	18
LA230290	04B	4	LB230070	04B	18
LA230290	04B	4	LB240080	06B-1	1
LA230300	04A-2	1	MB295250	02B	4
LA230321	04A-1	41	MB295260	02B	7
LA230330	03-2	7	MB295270	02B	6
LA230340	03-2	36	MB295290	02B	5
LA230350	05	19	MF110011	12-1	6
LA230360	03-2	38	MF110011	12-2	17
LA230410	03-2	17	MF140050	00	10
LA230420	03-2	37	MF140060	00	7
LA240011	05	18	MF140070	00	6
LA240020	05	11	MF141010	00	2
LA240030	06A-2	21	MF141030	00	4
LA240040	06A-2	22	MF141040	00	9
LA240100	05	5	MF210070	02B	3
LA250010	04C	4	MF210070	02B	8
LA250020	04C	1	MF210080	02B	2
LA250031	01B	8	MF220000	01A	10
LA250040	01B	9	MF250000	11	4
LA250050	03-2	25	MF250010	11	6
LA270010	02A	23	MF250020	11	8
LA270020	02A	22	MF250031	11	15
LA270030	02A	26	MF250040	11	2
LA270040	02A	13	MF250051	11	1
LA270070	02D	25	MF250060	11	3
LA270080	02C	16	MF250070	11	5
LA270090	02D	18	MF250083	07	1
LA270100	02C	2	MF250090	11	10
LA270110	04C	5	MF250120	11	17
LA270120	02C	16	MF250131	00	11
LA270130	02D	13	MF250140	04C	3
LA270140	02C	12	MF251120	11	11
LA730600	10C-1	5	MF251130	11	16
LA730600	10C-2	5	MF310000	08	10
LA730610	10C-1	3	MF310010	08	2
LA730610	10C-2	3	MF310020	08	9
LA730620	10C-1	6	MF310030	08	8
LA730630	10C-1	4	MF310040	08	5
LA730630	10C-2	4	MF330020	07	19
LA730640	10C-1	7	MF330050	07	2
LA730650	10C-1	2	MF480030	10B	22

LIST No.	SECTION No.	ITEM	LIST No.	SECTION No.	ITEM
MF480040	10B	15	MG240010	06A-2	23
MF480081	10B	19	MG310000	08	12
MF480091	10B	2	MG330000	07	18
MF480130	10A	23	MG330010	07	17
MF480141	10A	27	MG330030	07	7
MF480150	10A	1	MG330040	07	6
MF480190	10A	8	MG330050	07	9
MF480320	10B	6	MG330060	07	4
MF480331	10A	18	MG330070	07	13
MF480331	10B	25	MG330080	07	11
MF480341	10A	16	MG330090	07	3
MF480341	10B	3	MG330100	07	14
MF480360	10B	5	MG330110	07	5
MF480370	10C-1	10	MG480000	10A	5
MF480401	10A	26	MG480010	10B	18
MF480401	10B	21	MG480020	10B	13
MF480420	10B	16	MG480030	10B	17
MF480490	10A	44	MG480040	10A	28
MF480500	10B	23	MG480070	10C-2	12
MF481120	10B	20	MG710001	12-2	13
MF481170	10A	9	MG710011	12-2	16
MF481180	10A	20	MG710040	12-2	14
MF481210	10A	7	MG710050	12-2	12
MF481230	10A	22	MG710060	12-2	23
MF481240	10A	14	MG790000	08	11
MF481290	10A	25	MY294280	08	3
MF481300	10A	10	MY294600	01A	14
MF481350	10B	7	RD230020	04A-2	21
MF510000	08	6	RD230060	04A-2	18
MF510010	07	12	RD230070	04A-2	19
MF510020	02B	10	RD230080	03-2	22
MF510030	08	7	RD230120	03-2	10
MF710001	12-1	1	RD230130	03-2	11
MF710011	12-1	5	RD230201	03-2	21
MF790030	11	7	RD240022	06A-2	12
MG110002	00	8	RD240030	06A-2	8
MG120000	00	1	RD240090	06A-2	24
MG120010	00	5	RD240111	06A-2	11
MG210000	01B	16	RD240121	06A-2	16
MG210050	02B	9	RD240153	06A-2	10
MG210060	01B	22	RD240270	03-2	26
MG230000	03-1	3	RD240280	06A-2	6
MG230000	03-2	3b	RD240291	06A-2	1
MG230010	03-2	39	RD240291	06B-2	1
MG240000	06A-2	25	RD240301	06A-2	2



