

Barudan

HIGH SPEED AUTOMATIC EMBROIDERY MACHINE

MODEL BEVT-S901CAII
WITH MK7 TRIMMER
PARTS LIST



BARUDAN CO., LTD.

20 Tsukagoshi Josuiji,
Ichinomiya-city, Aichi-pref., Japan
TEL <81>586-76-1137 FAX <81>586-77-1499
<http://www.barudan.co.jp/>

株式会社 **バルダン**

〒491-0004 愛知県一宮市定水寺塚越20番地
TEL (0586) 76-1137 (代) FAX (0586) 77-1499
<http://www.barudan.co.jp/>

BEVT-S901CA II HIGH SPEED AUTOMATIC EMBROIDERY MACHINE 高速自動刺繍マシン

C O N T E N T S

目 次

Machine layout (BEVT-S901CA II)
配置図 (BEVT-S901CA II)

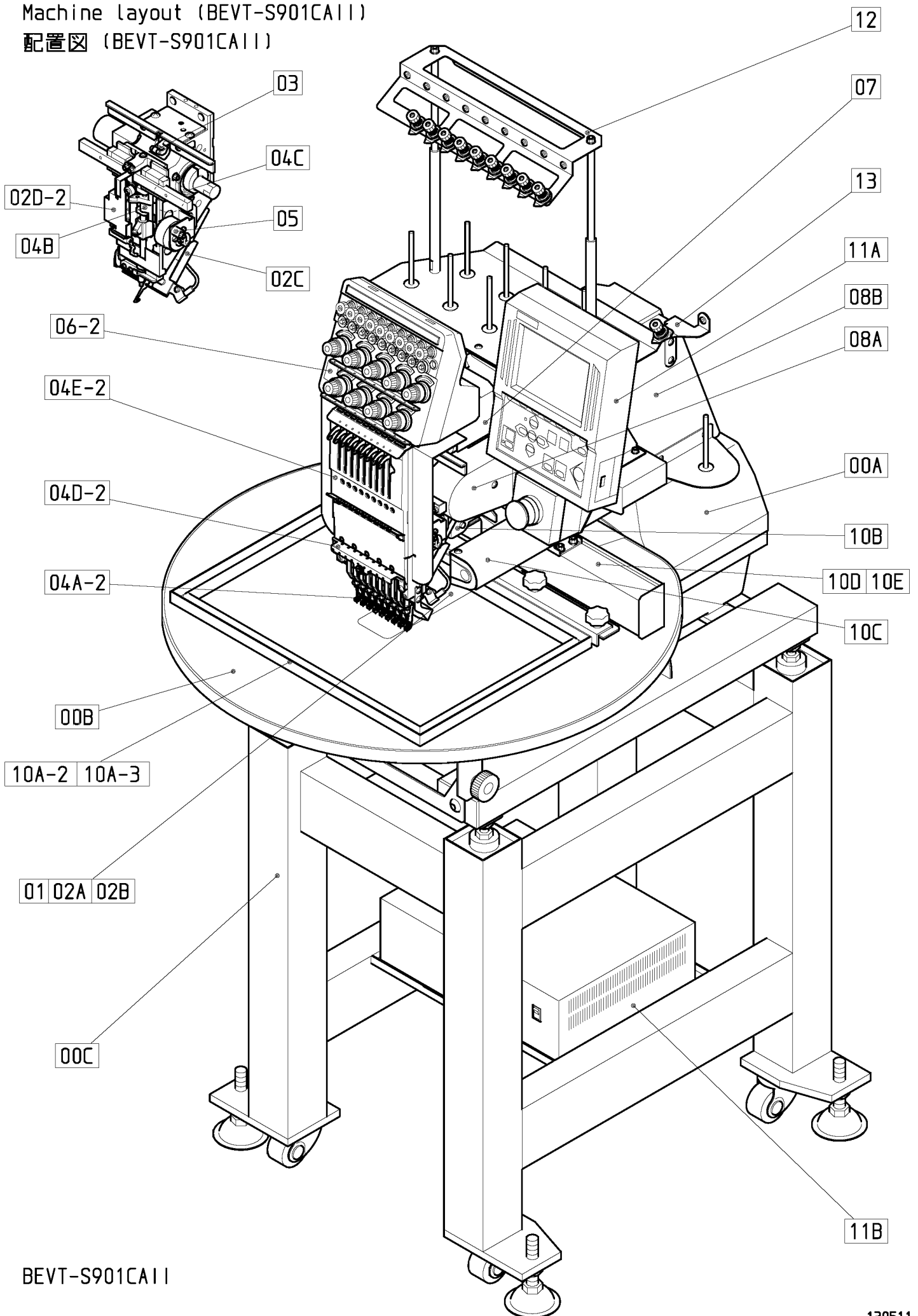
- 00A Table・Frame A
テーブル・フレームA
- 00B Table・Frame B
テーブル・フレームB
- 00C Table・Frame C
テーブル・フレームC
- 01 Head・Bed
ヘッド・ベッド
- 02A Thread cut A
糸切りA
- 02B Thread cut B
糸切りB
- 02C Thread cut C
糸切りC
- 02D-2 Thread cut D (S9)
糸切りD (S9)
- 03 Take up lever
天秤
- 04A-2 Needle bar A (S9)
針棒A (S9)
- 04B Needle bar B
針棒B
- 04C Needle bar C
針棒C
- 04D-2 Needle bar D (S9)
針棒D (S9)
- 04E-2 Needle bar E (S9)
針棒E (S9)
- 05 Jump
ジャンプ

- 06-2 Thread guide (S9)
糸道 (S9)
- 07 Color change
色換え
- 08A Drive A
駆動A
- 08B Drive B
駆動B
- 10A-2 Pantograph drive A (S9)
枠駆動A (S9)
- 10A-3 Pantograph drive A (S9)
枠駆動A (S9)
- 10B Pantograph drive B
枠駆動B
- 10C Pantograph drive C
枠駆動C
- 10D Pantograph drive D
枠駆動D
- 10E Pantograph drive E
枠駆動E
- 11A Control A
制御A
- 11B Control B
制御B
- 12 Accessories
付属品

INDEX
索引

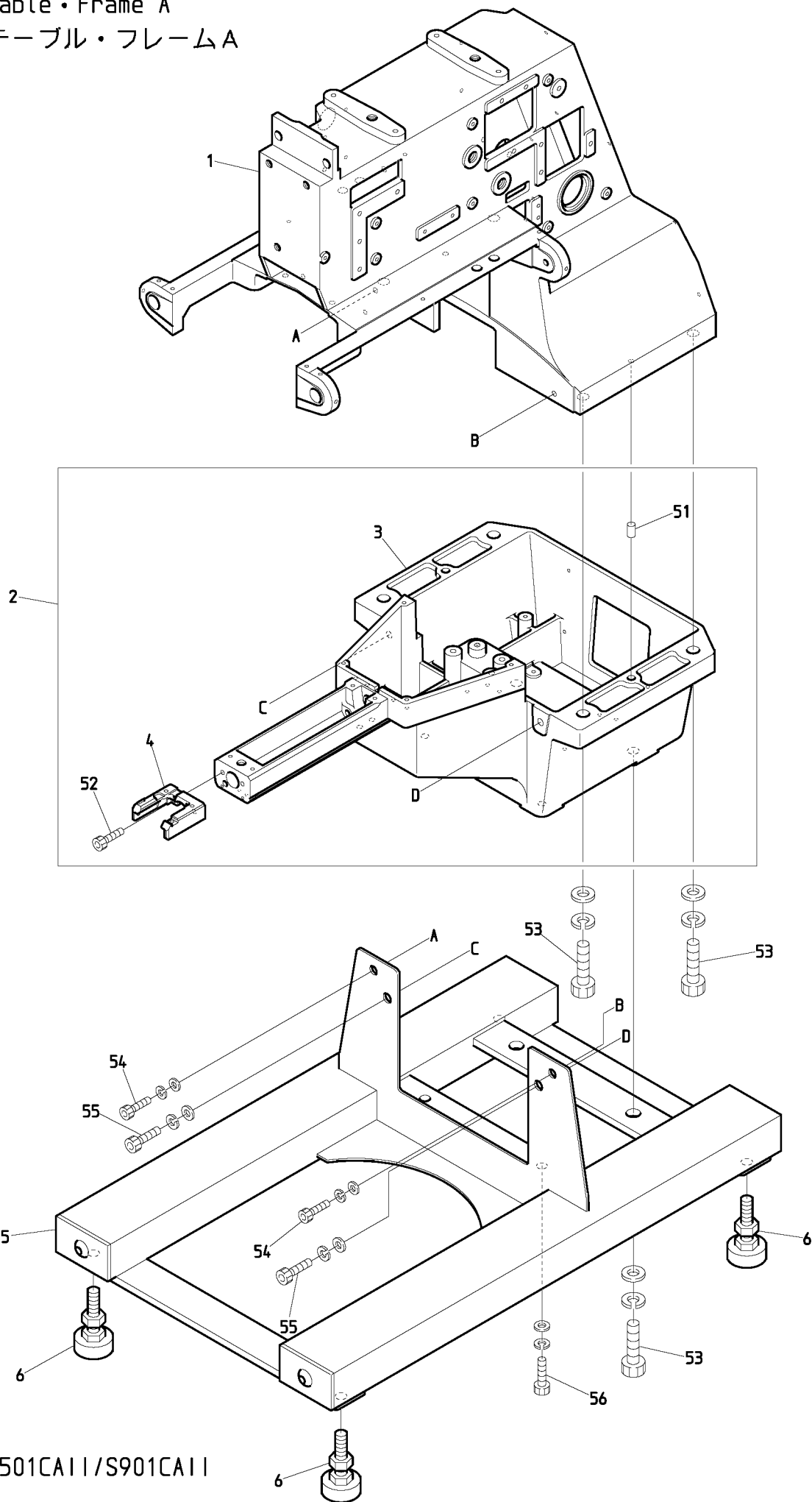
Machine layout (BEVT-S901CA11)

配置图 (BEVT-S901CA11)



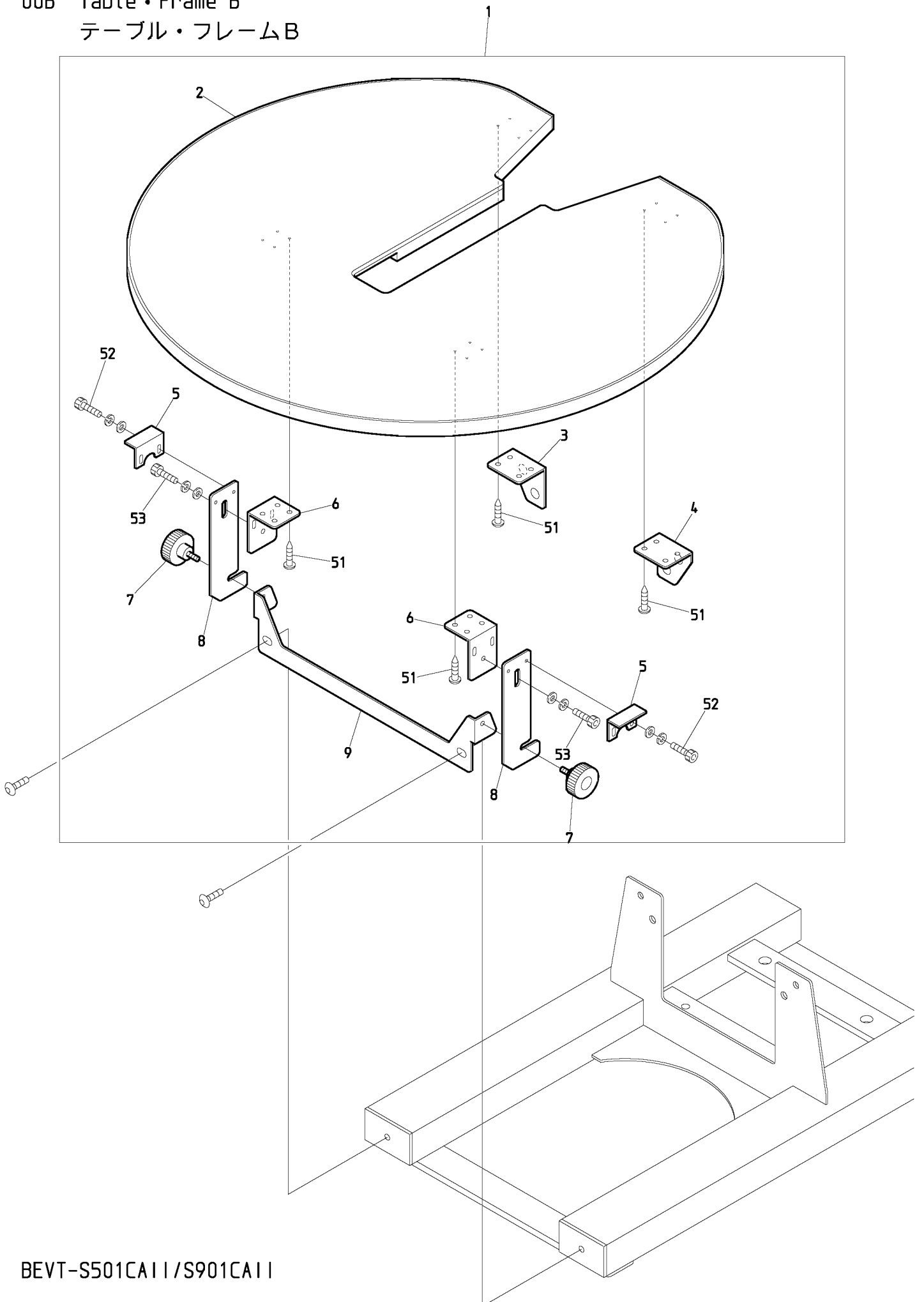
BEVT-S901CA11

00A Table・Frame A
 テーブル・フレームA



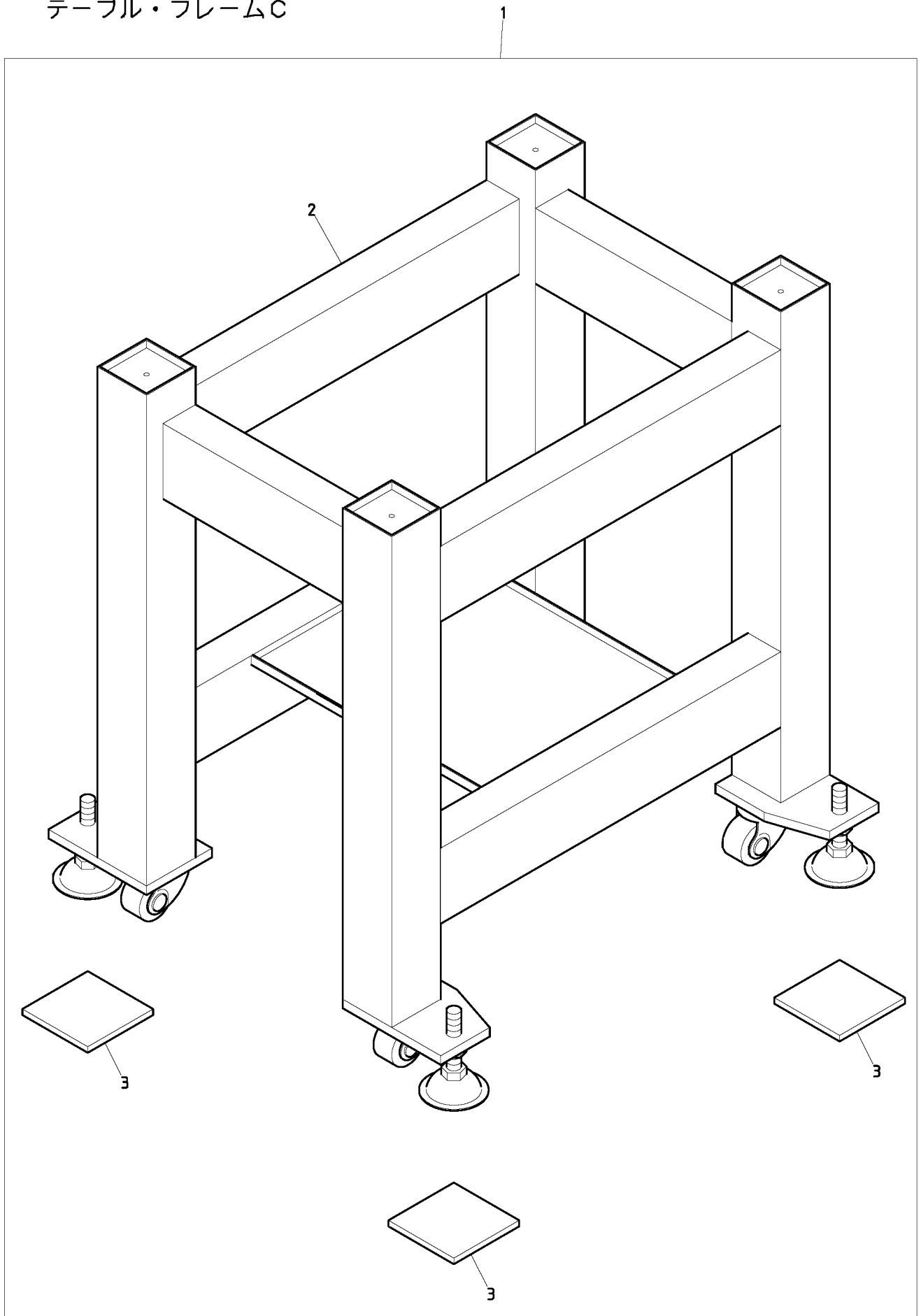
BEVT-S501CA11/S901CA11

00B Table・Frame B
テーブル・フレームB



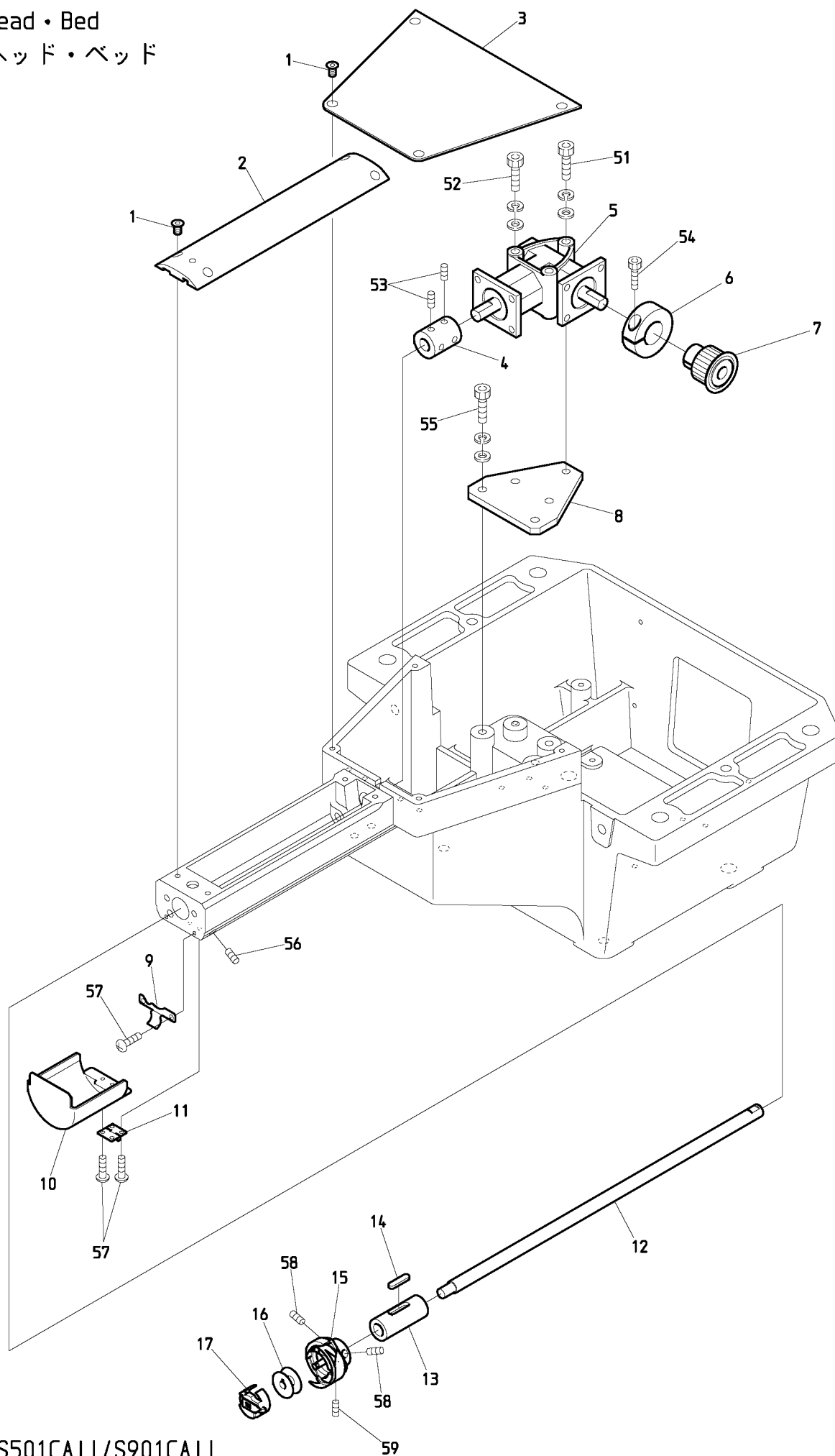
BEVT-S501CA11/S901CA11

00C Table・Frame C
テーブル・フレームC



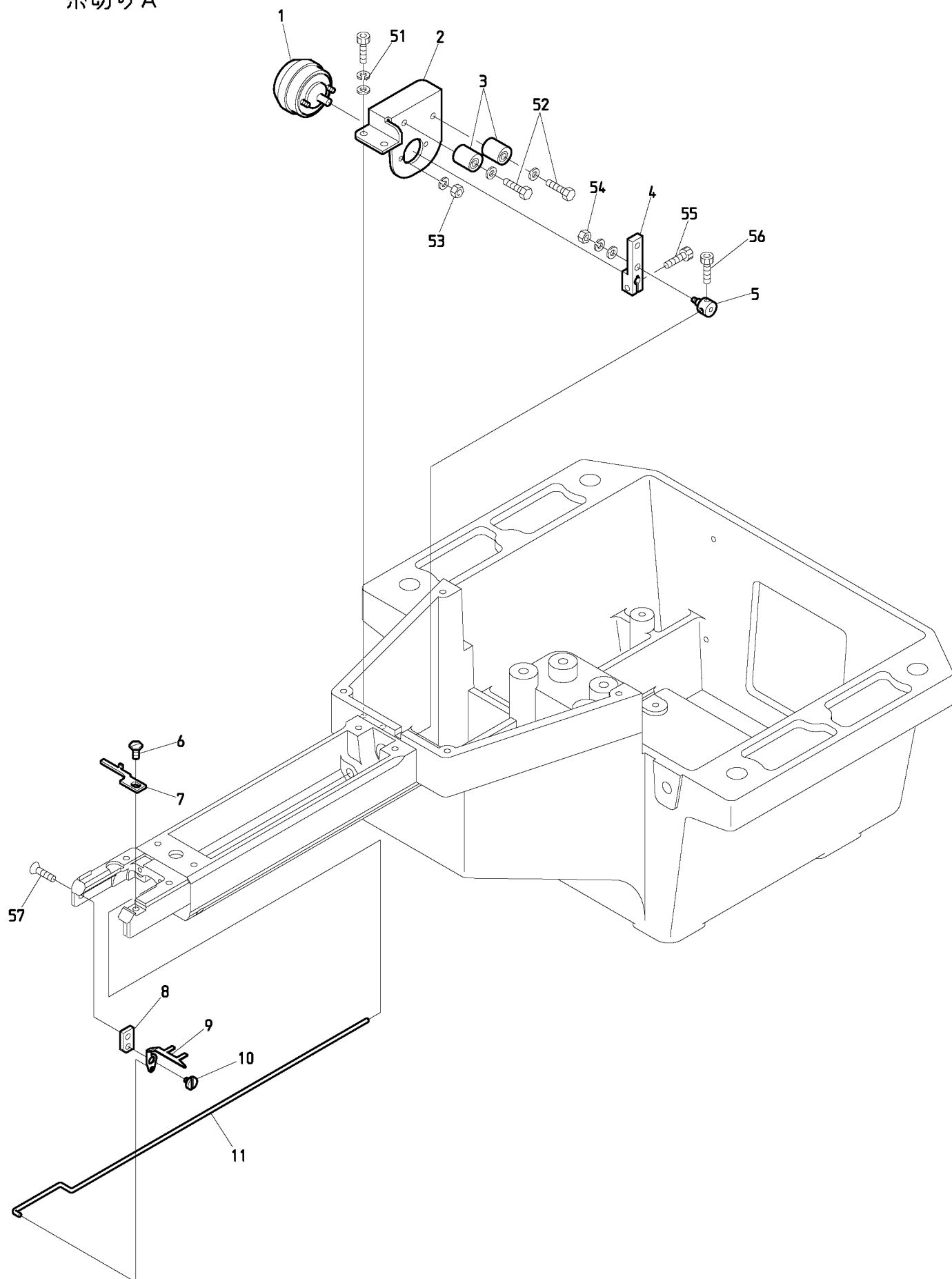
BEVT-S501CA11/S901CA11

01 Head • Bed
ヘッド・ベッド



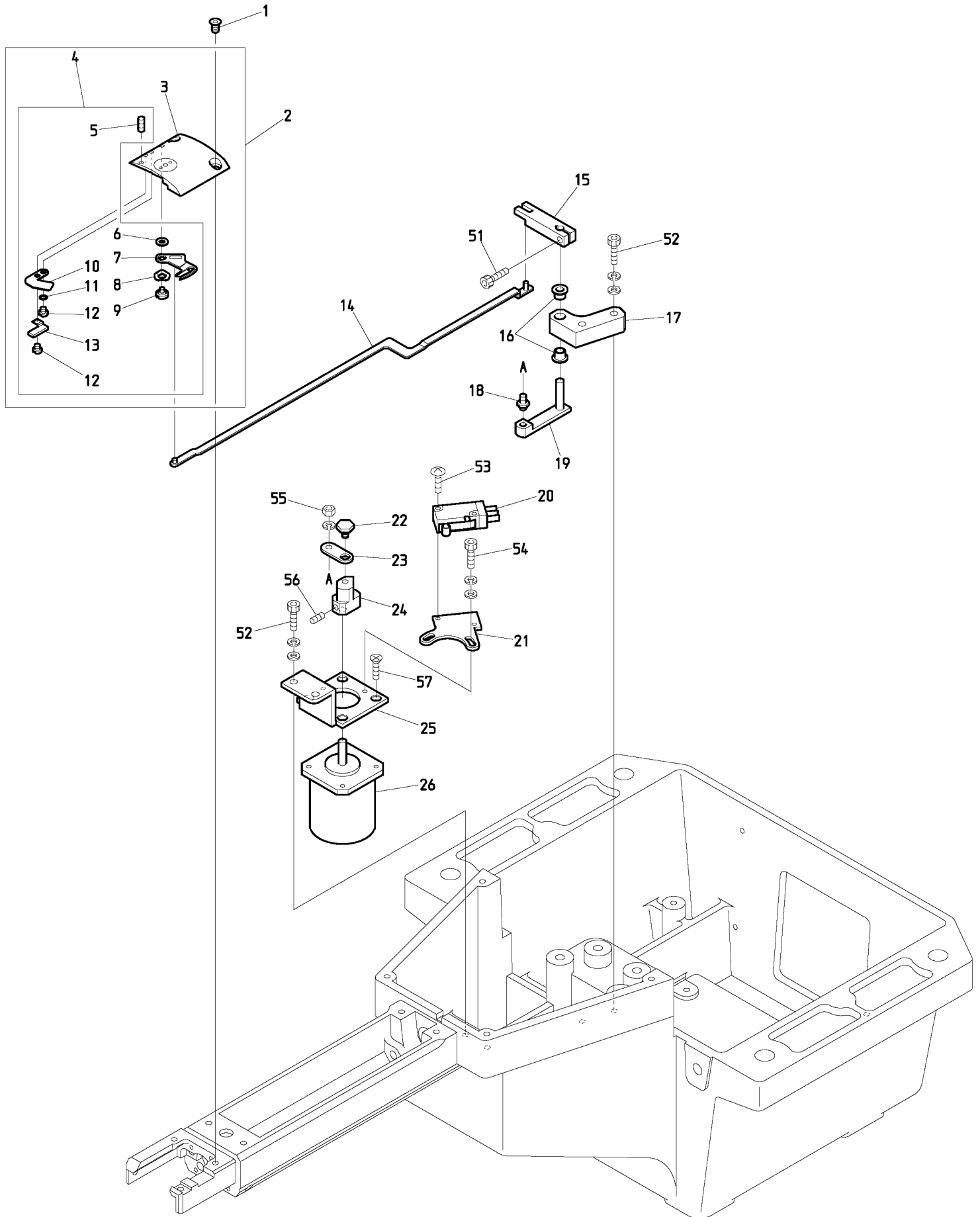
BEVT-S501CA11/S901CA11

D2A Thread cut A
糸切りA



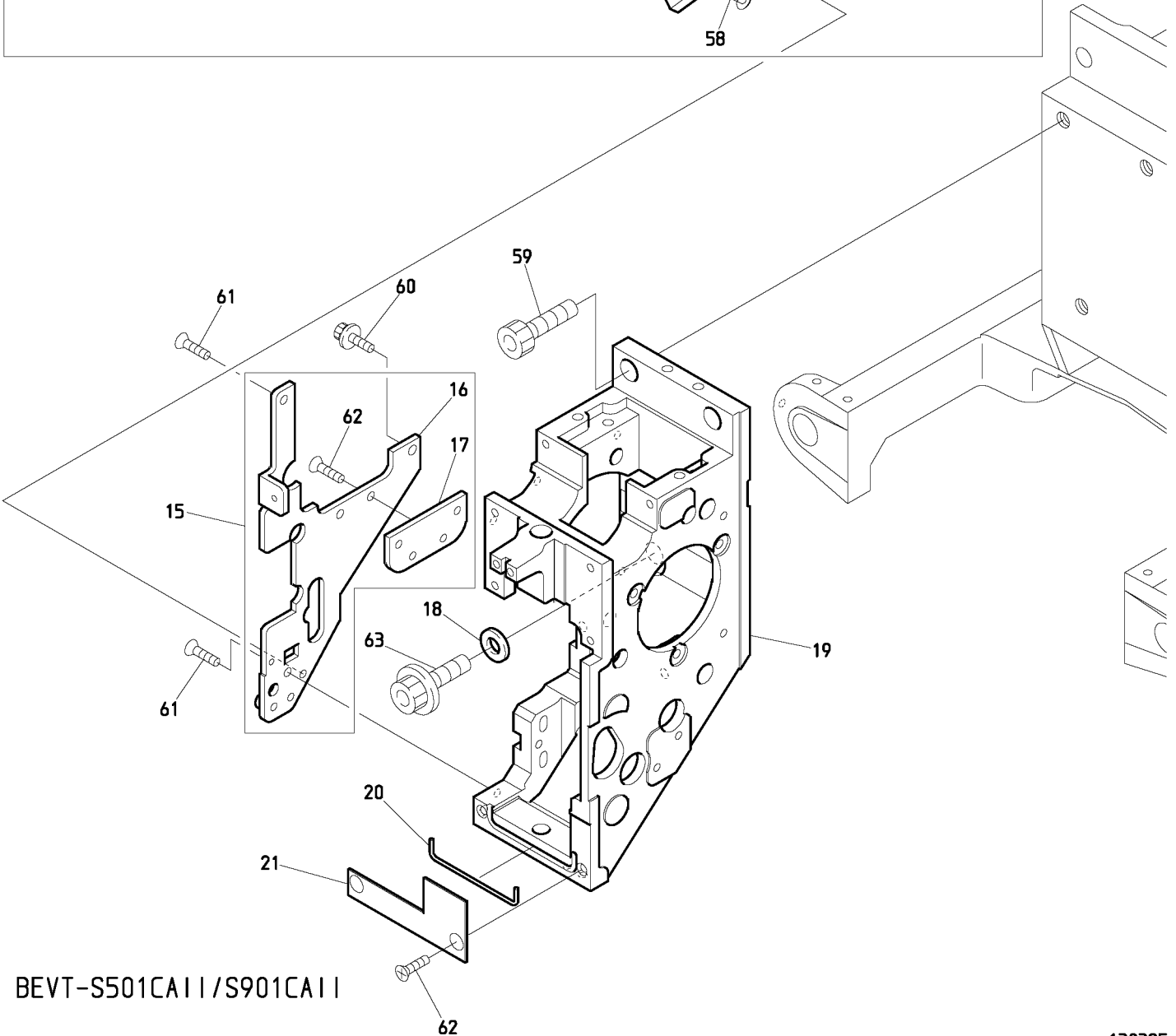
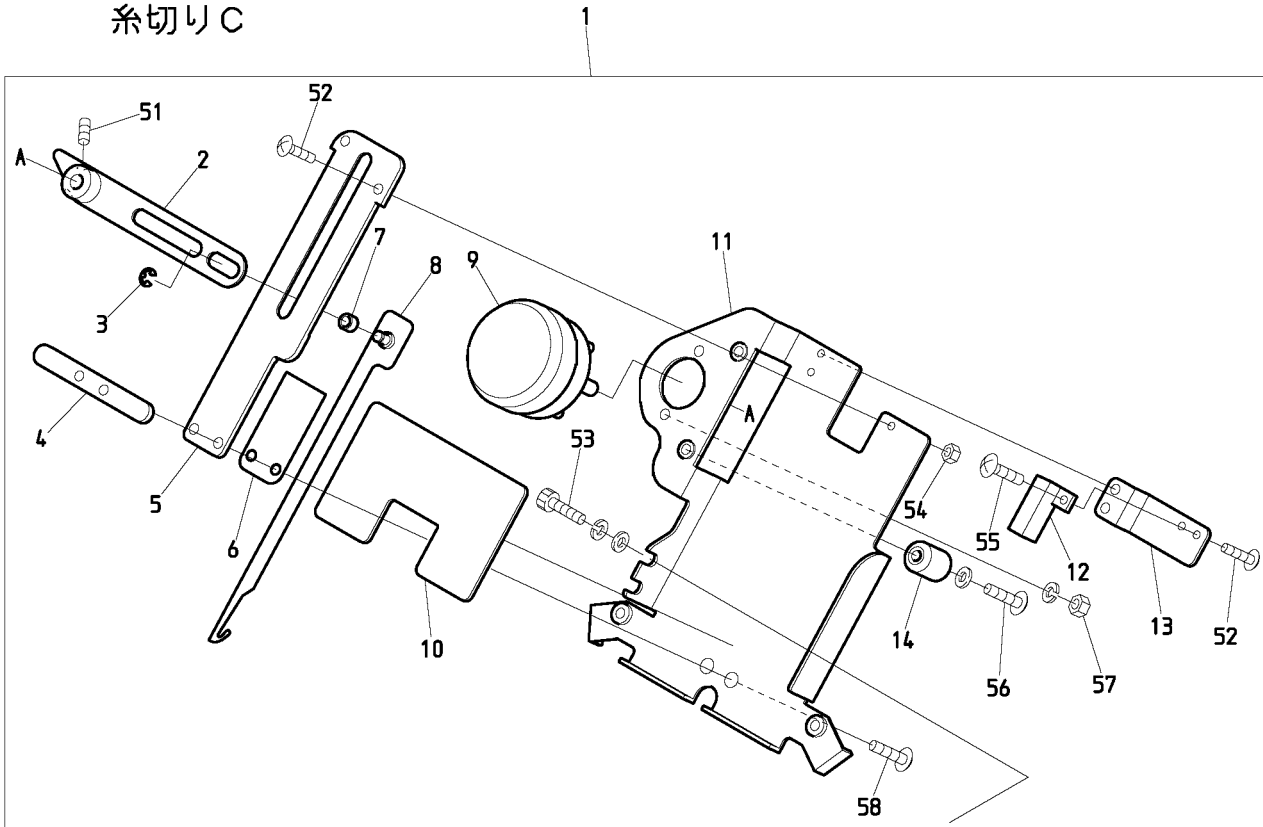
BEVT-S501CA11/S901CA11

02B Thread cut B
糸切りB



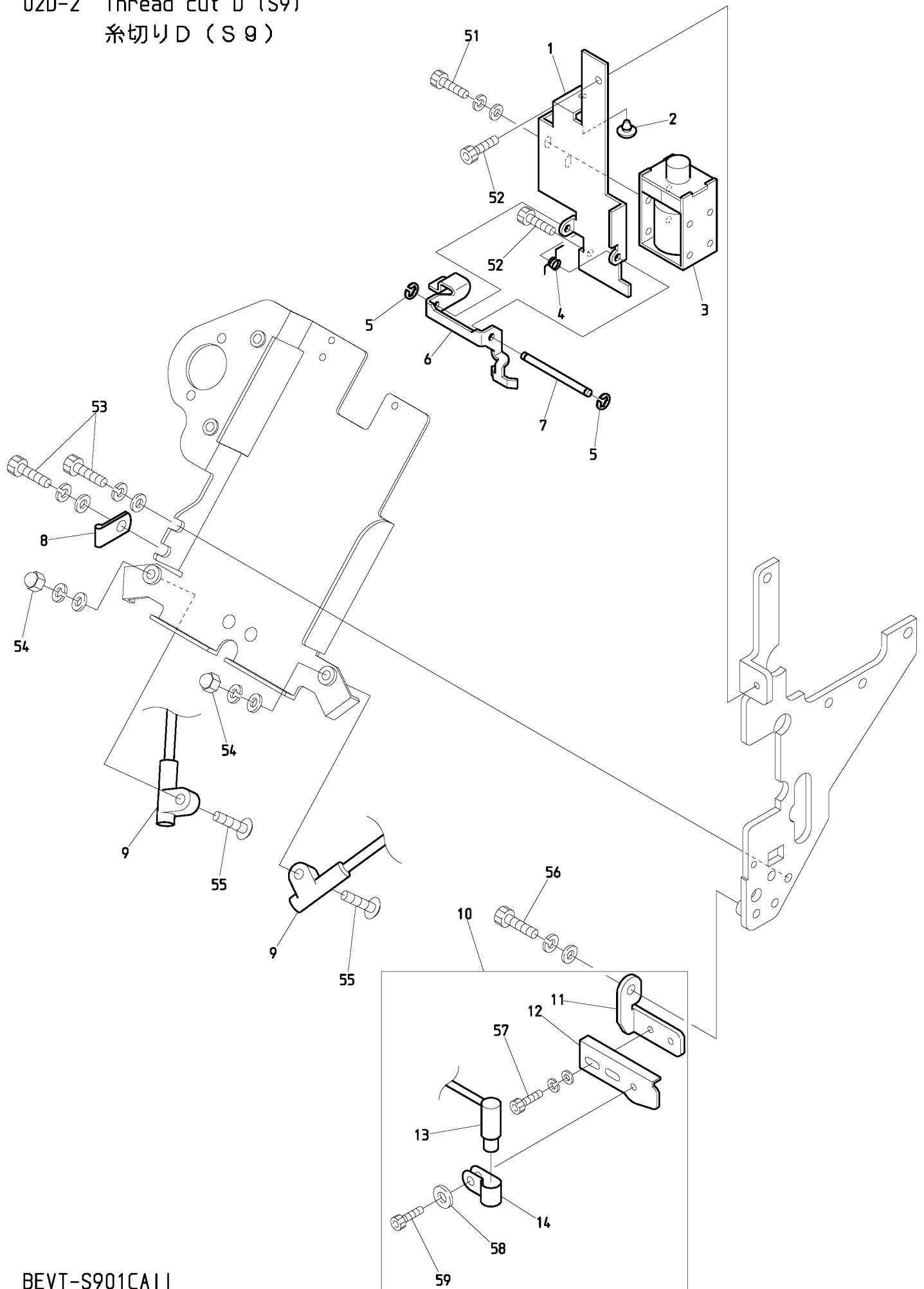
BEVT-S501CA11/S901CA11

02C Thread cut C
糸切りC



BEVT-S501CA11/S901CA11

02D-2 Thread cut D (S9)
糸切りD (S9)



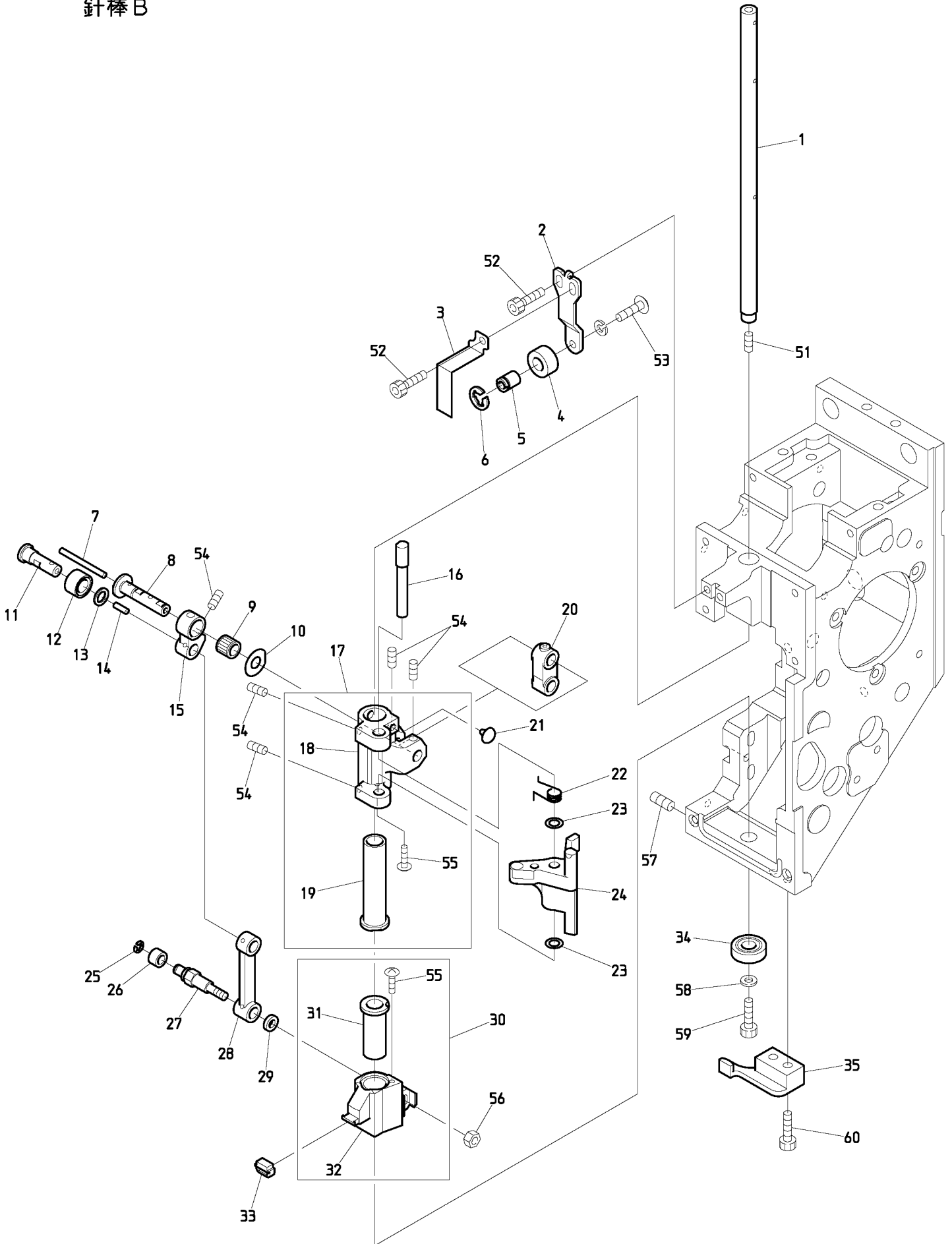
BEVT-S901CA11

04A-2 Needle bar A (S9)

針棒 A (S9)

ITEM	LIST No.	DESCRIPTION	部品名	Q'TY	NOTE
1	QK230520	Shim ring 8×12×0.5	シムリング 8×12×0.5	10	
2	QK230590	Take up lever a'ssy (S-head)	天秤ASSY (S頭部)	9	
3	NBQK230300	Take up lever (S-head)	天秤 (S頭部)	9	
4	HB230751	Take up lever thread guide	天秤糸道ガイド	1	
5	QK230310C	Take up lever timing block	天秤従動ブロック	9	
6	QK230451	Needle bar a'ssy (S-head)	針棒ASSY (S頭部)	9	
7	QK230380C	Needle bar guide	針棒ガイド	9	
8	A9012539	Fluted pin PS03NC2×6.4 (Without guide)	溝付ピン PS03NC2×6.4 (案内無シ)	9	
9	QK230370C	Needle bar	針棒	9	
10	KV230040	Needle bar spring (Upper, for thick type)	針棒バネ (上, 厚物用)	9	
11	QK230561	Cloth hold a'ssy	布押エASSY	9	
12	QK230291C	Cloth hold clamp	布押エクランプ	9	
13	QK230530	Shim ring 3×10×0.3	シムリング 3×10×0.3	9	
14	QK230350C	Cloth hold (S-head)	布押エ (S頭部)	9	
15	SG230220	Needle bar spring (Lower)	針棒バネ (下)	9	
16	MH230100	Needle bar felt (DT-ZN)	針棒フェルト (DT-ZN)	1	
17	KF232130	O-ring (1B-AS568-902) C03091B	Oリング (1B-AS568-902) C03091B	9	
18	HT230120	Washer 2.4	ジュラコンワッシャー 2.4	9	
19	RH230440	Needle clamp (With hook, set screw)	針止め (フック・止めネジ付)	9	
20	RH230450	Needle clamp (With hook)	針止め (フック付)	9	
21	RH230460	Needle clamp screw	針止めネジ	9	
22	FN070011RG	Needle (DBXK5 11RG)	針 (DBXK5 11RG)	9	
23	QK230360C	Needle bar guide shaft	針棒ガイド軸	9	
24	ME230051	Slide block (S9/CA II)	スライドブロック (S9/CA II)	1	
25	NBQK230390	Take up lever collar	天秤割カラー	2	
26	A9011322	S9 LM guide (2SRS15MUUCSE+208LMS)	S9 LMガイド (2SRS15MUUCSE+208LMS)	1	
27	QK230280C	Linear guide base	リニアガイドベース	2	
28	NBQK230330	Take up lever shaft (S9)	天秤シャフト (S9)	1	
29	NBQK230420	Bearing plate (S9)	ベアリングプレート (S9)	1	
30	A9014167	O-ring SS065	Oリング SS065	9	
31	QK230340	Needle bar stocker (SH9)	針棒ストッカー (SH9)	1	
51		Pan screw M3×8	十字穴付ナベ小ネジ M3×8		
52		Plus-minus binding head screw M3×6	プラスマイナスバインド小ネジ M3×6		
53		Hex. socket bolt M4×12 (With washers)	六角穴付ボルト M4×12 (平座金 バネ座金付)		
54		Hex. socket flush bolt M3×6 (With adhesive)	六角穴付皿ボルト M3×6 (接着剤付)		
55		Hex. socket set screw M4×6	六角穴付止めネジ M4×6		
56		Hex. socket bolt M4×25	六角穴付ボルト M4×25		
57		Hex. socket bolt M3×30	六角穴付ボルト M3×30		
58		Flush screw M3×28	十字穴付皿小ネジ M3×28		
59		Hex. socket bolt M4×8 (With plain washer t0.5)	六角穴付ボルト M4×8 (t0.5 平座金付)		

04B Needle bar B
針棒 B



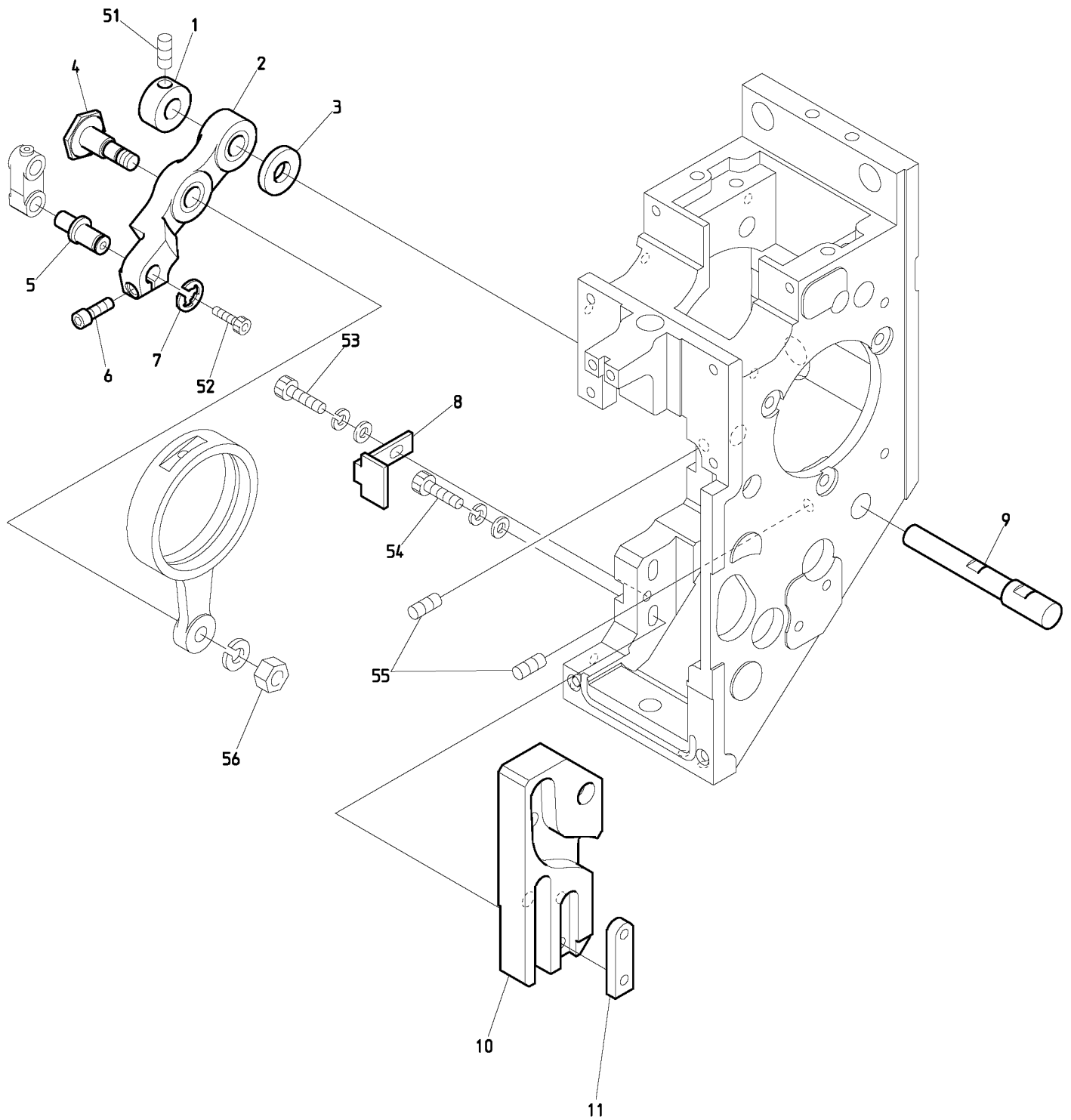
BEVT-S501CA11/S901CA11 BEXS-S*C BEVT-S1501C11

O 4 B Needle bar B

針棒B

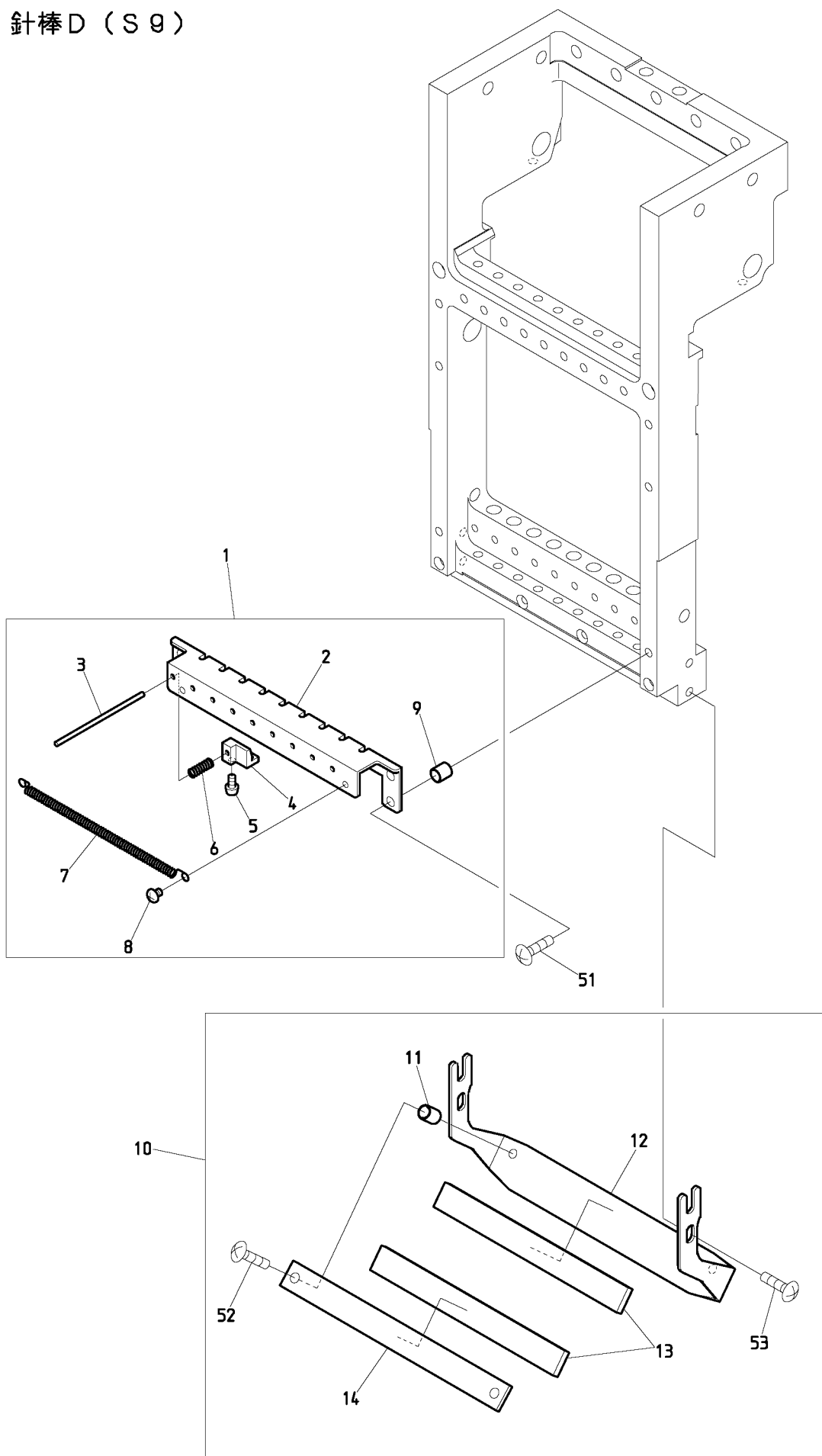
ITEM	LIST No.	DESCRIPTION	部品名	Q'TY	NOTE
1	QK230170	Driving shaft	駆動軸	1	
2	NBQK230181	Needle bar stopper bracket	針棒ストッパーブラケット	1	
3	NBQK230200	Indication plate(S-head)	表示プレート(S頭部)	1	
4	NBOHT230220	Needle bar stopper	針棒ストッパ	1	
5	QK230190C	Needle bar stopper fixing pin	針棒ストッパ取付ピン	1	
6	A9012471	E-ring(ϕ 6) Black oxide finish	E型止メ輪(呼び径6) 黒染	2	
7	HT230750	Oil core(30mm)	油芯(30mm)	1	
8	QK230710	Small link pin	小リンクピン	1	
9	A9010144	Needle roller cage(KT698N)	ニードルケージ(KT698N)	1	
10	QH230230	Shim ring(ϕ 14.5) H	シムリング(ϕ 14.5) H	1	
11	RR230131	Link roller joint pin	リンクコロジョイントピン	1	
12	RR230151	Cloth hold roller	布押エコロ	1	
13	RR230140	Thrust washer	スラスト座金	1	
14	HT230760	Oil core(8mm)	油芯(8mm)	1	
15	NBQK230082	Link(Small) P14	リンク(小) P14	1	
16	QK230060C	Needle bar driver pin	針棒叩キピン	1	
17	QK230671	Needle bar driver slide block a'ssy	針棒叩キ摺動ブロックASSY	1	
18	QK230091C	Needle bar driver slide block	針棒叩キ摺動ブロック	1	
19	QK230650	Needle bar driver slide SUS bush(G7)	針棒叩キ摺動SUSブッシュ(G7)	1	
20	NBQK230050	Needle bar driving link	針棒駆動リンク	1	
21	A9014211	Rubber cushion TM-96-3	ブラグクッションゴム TM-96-3	1	
22	QK230111	Needle bar driver spring	針棒叩キバネ	1	
23	QK230460	Shim ring 5 \times 8.5 \times 0.7	シムリング 5 \times 8.5 \times 0.7	2	
24	QK230121C	Needle bar driver	針棒叩キ	1	
25	A9012127	E-ring(ϕ 3)	E型止メ輪(呼び径3)	1	
26	KF230531	Roller(For take up lever)	コロ(天秤用)	1	
27	SG230180	Link roller joint pin(Large)	リンクコロジョイントピン(大)	1	
28	NBQK230070	Link(Large) P40	リンク(大) P40	1	
29	SG230190	Washer for joint pin	ジョイントピン用ワッシャー	1	
30	QK230680	Cloth hold support slide block a'ssy	布押工受摺動ブロックASSY	1	
31	QK230660	Cloth hold support slide SUS bush(G7)	布押工受摺動SUSブッシュ(G7)	1	
32	QK230151C	Cloth hold support slide block	布押工受摺動ブロック	1	
33	HT230340	Cloth hold support rubber	布押工受ゴム	1	
34	A9010139	Ball bearing(697ZZ)	ボールベアリング(697ZZ)	1	
35	QK230320C	Slide block guide	スライドブロックガイド	1	
51		Hex. socket set screw M4 \times 4(With nylon)	六角穴付止メネジ M4 \times 4(ナイロン付)		
52		Hex. socket bolt M4 \times 8	六角穴付ボルト M4 \times 8		
53		Hex. socket button bolt M4 \times 8(Spring washer)	六角穴付ボタンボルト M4 \times 8(バネ座金付)		
54		Hex. socket set screw M4 \times 6(With nylon)	六角穴付止メネジ M4 \times 6(ナイロン付)		
55		Truss screw M2.5 \times 4(With adhesive)	十字穴付トラス小ネジ M2.5 \times 4(接着剤付)		
56		Hex. nut M4 I	六角ナット M4 1種		
57		Hex. socket set screw(Truncated cone point) M5 \times 8	六角穴付止メネジ(トガリ先) M5 \times 8		
58		Plain washer(ϕ 4.3 \times ϕ 10 \times t0.8 Black oxide finish)	平座金(ϕ 4.3 \times ϕ 10 \times t0.8 黒染)		
59		Hex. socket bolt M4 \times 6	六角穴付ボルト M4 \times 6		
60		Hex. socket bolt M4 \times 12	六角穴付ボルト M4 \times 12		

04C Needle bar C
針棒C



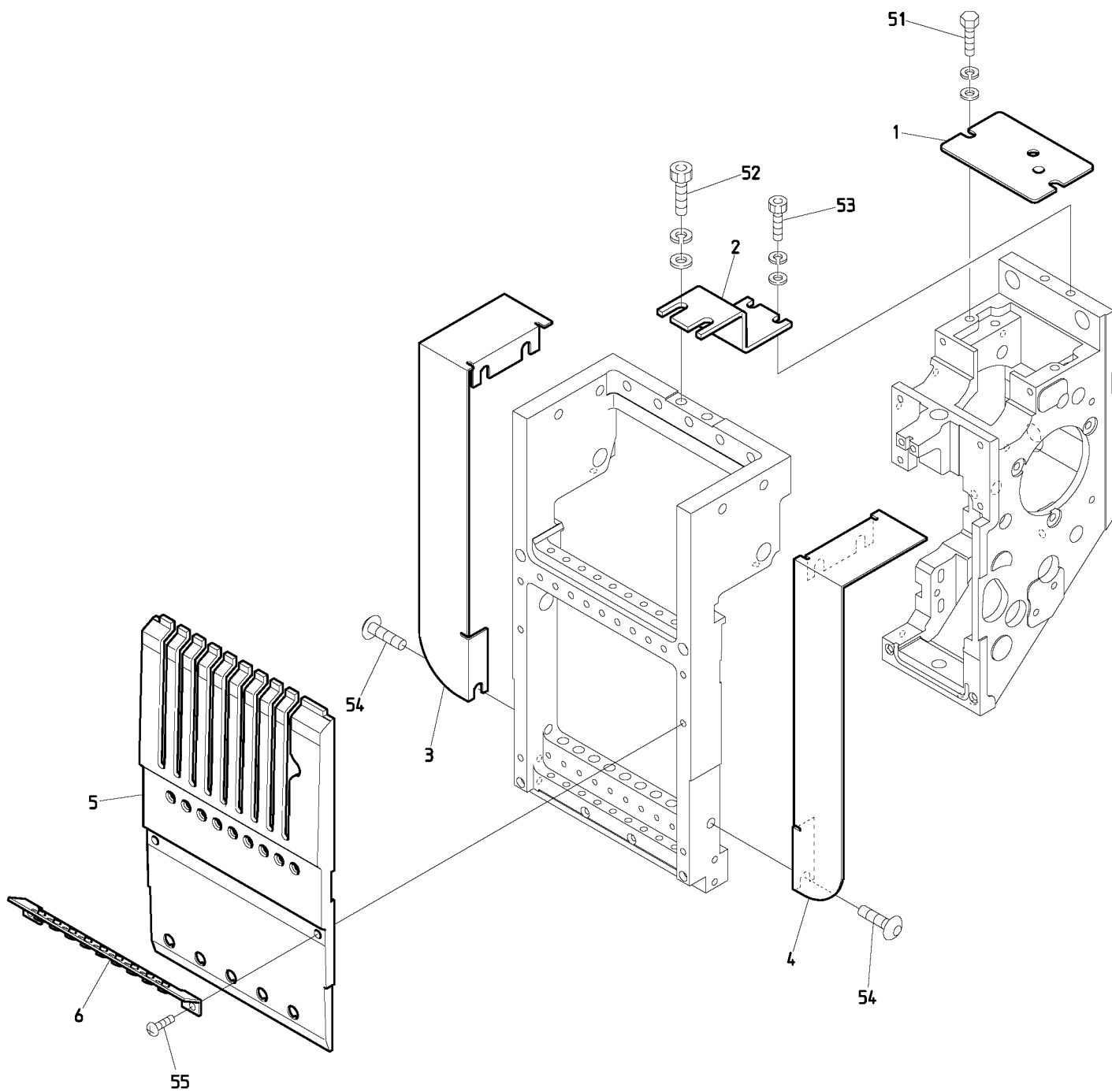
BEVT-S501CA11/S901CA11 BEXS-S*C BEXY-C11 BEVT-S1501C11
BEXL-C11

04D-2 Needle bar D (S9)
針棒D (S9)

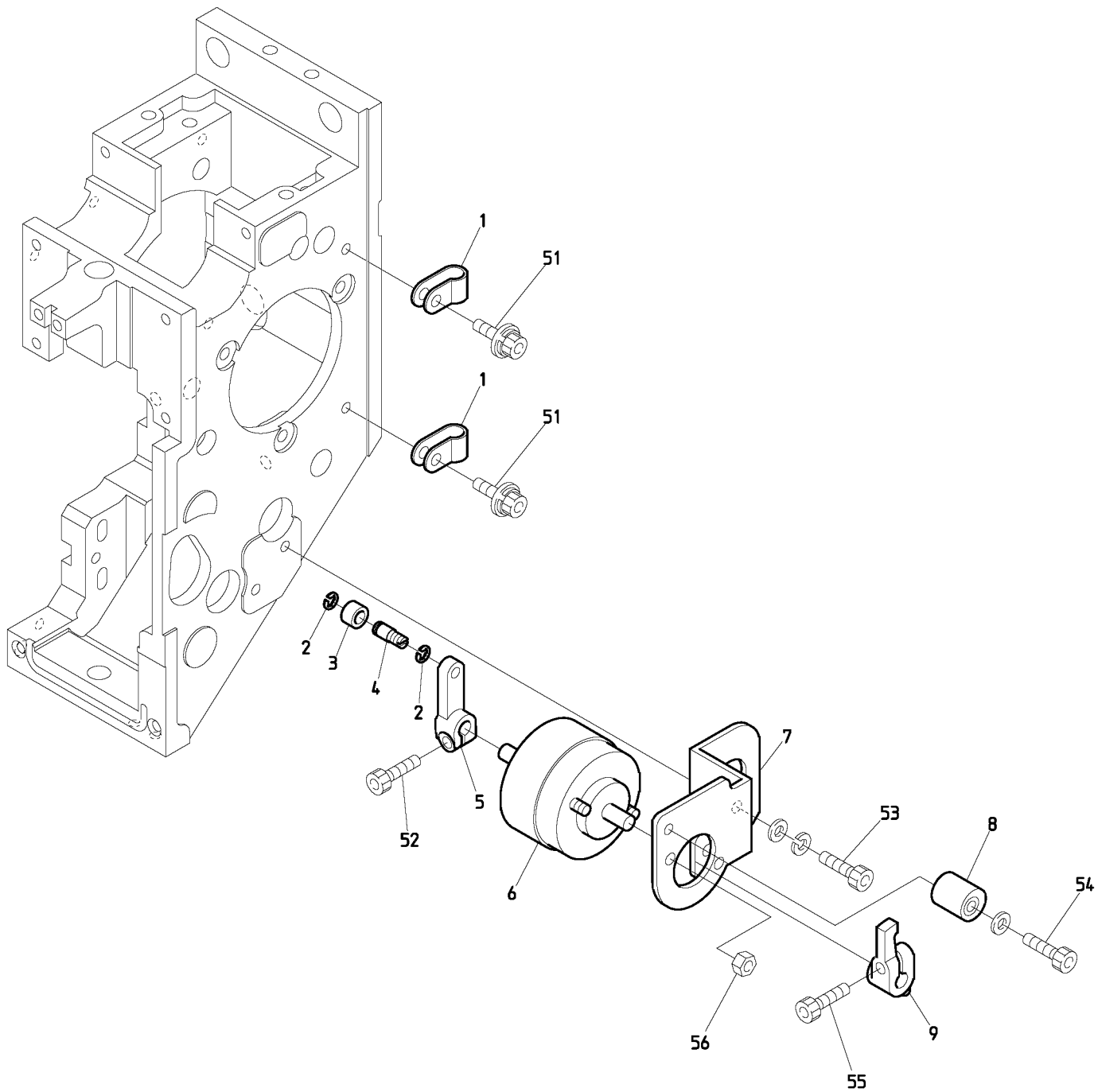


BEVT-S901CA11

04E-2 Needle bar E (S9)
針棒 E (S9)

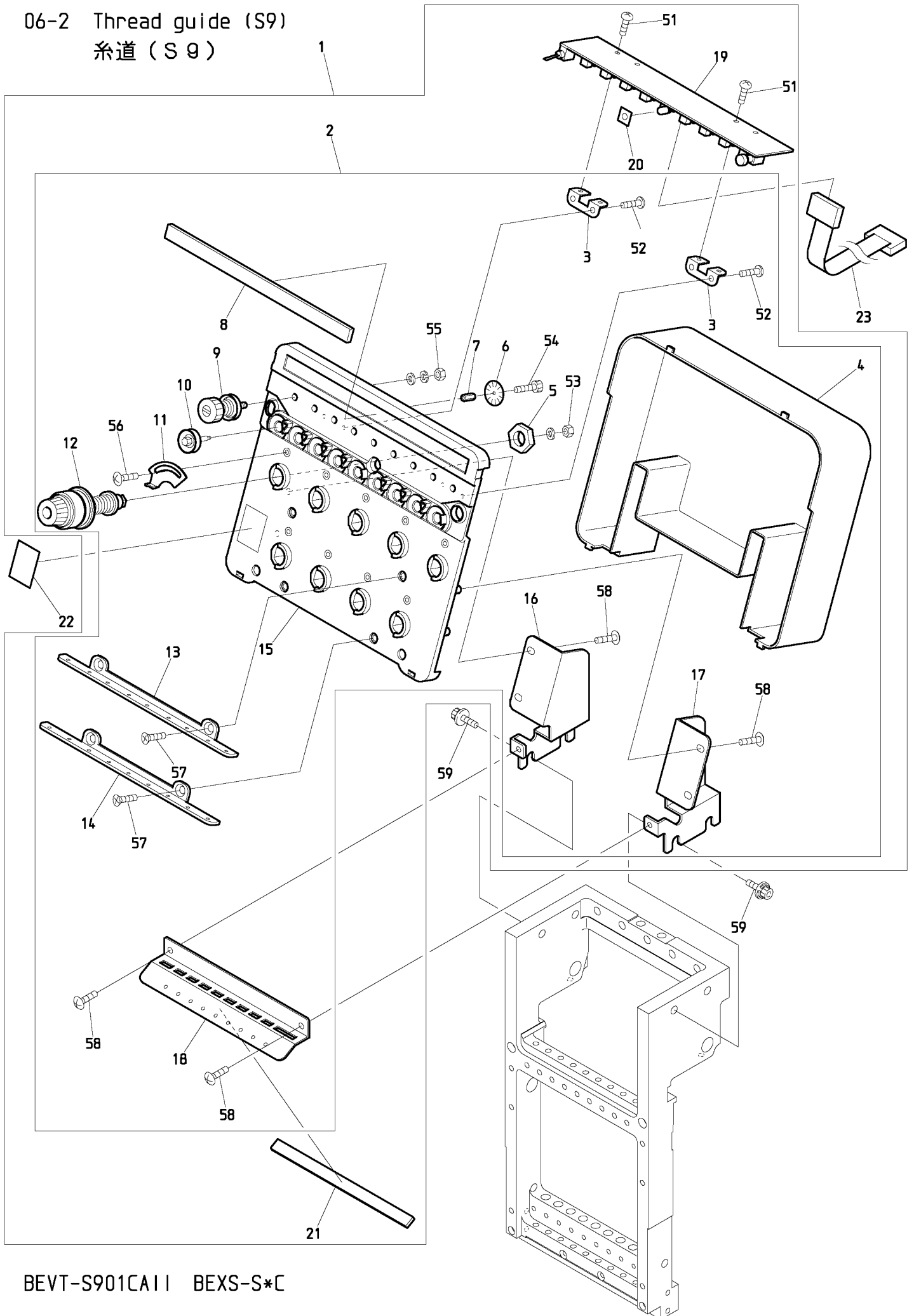


05 Jump
ジャンプ



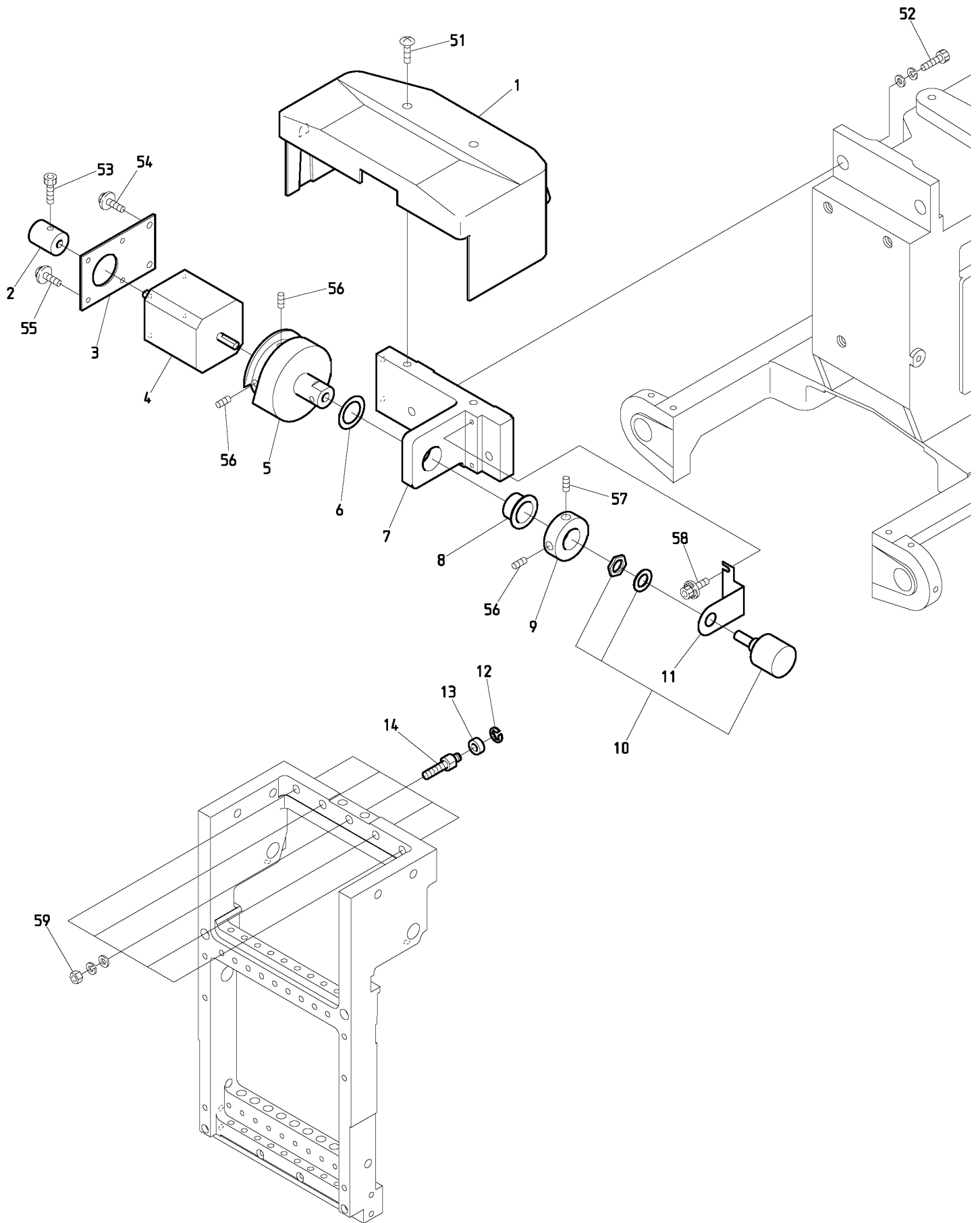
BEVT-S501CA11/S901CA11 BEVT-S1501C11

06-2 Thread guide (S9)
糸道 (S9)

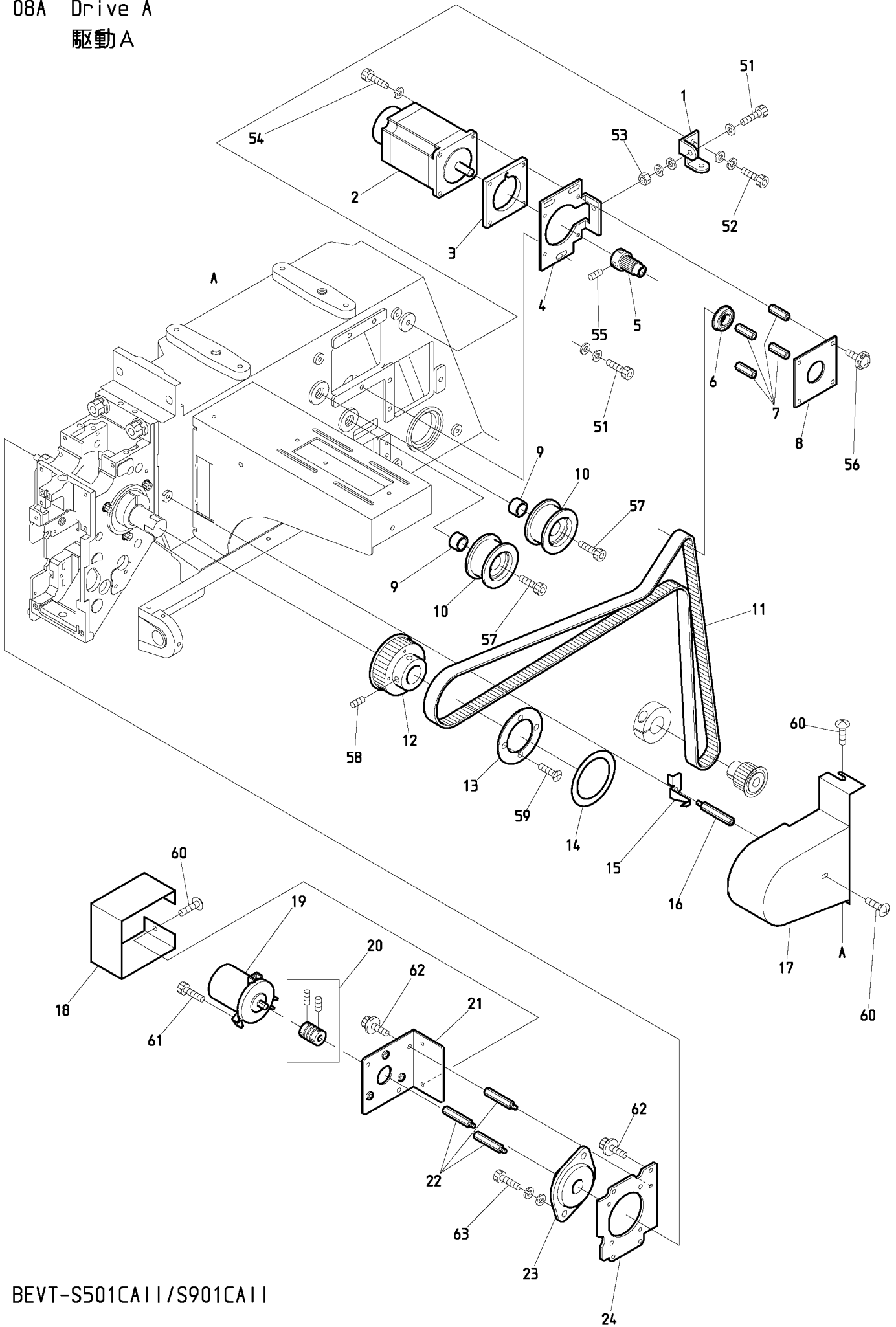


BEVT-S901CA11 BEXS-S*C

07 Color change
色換え

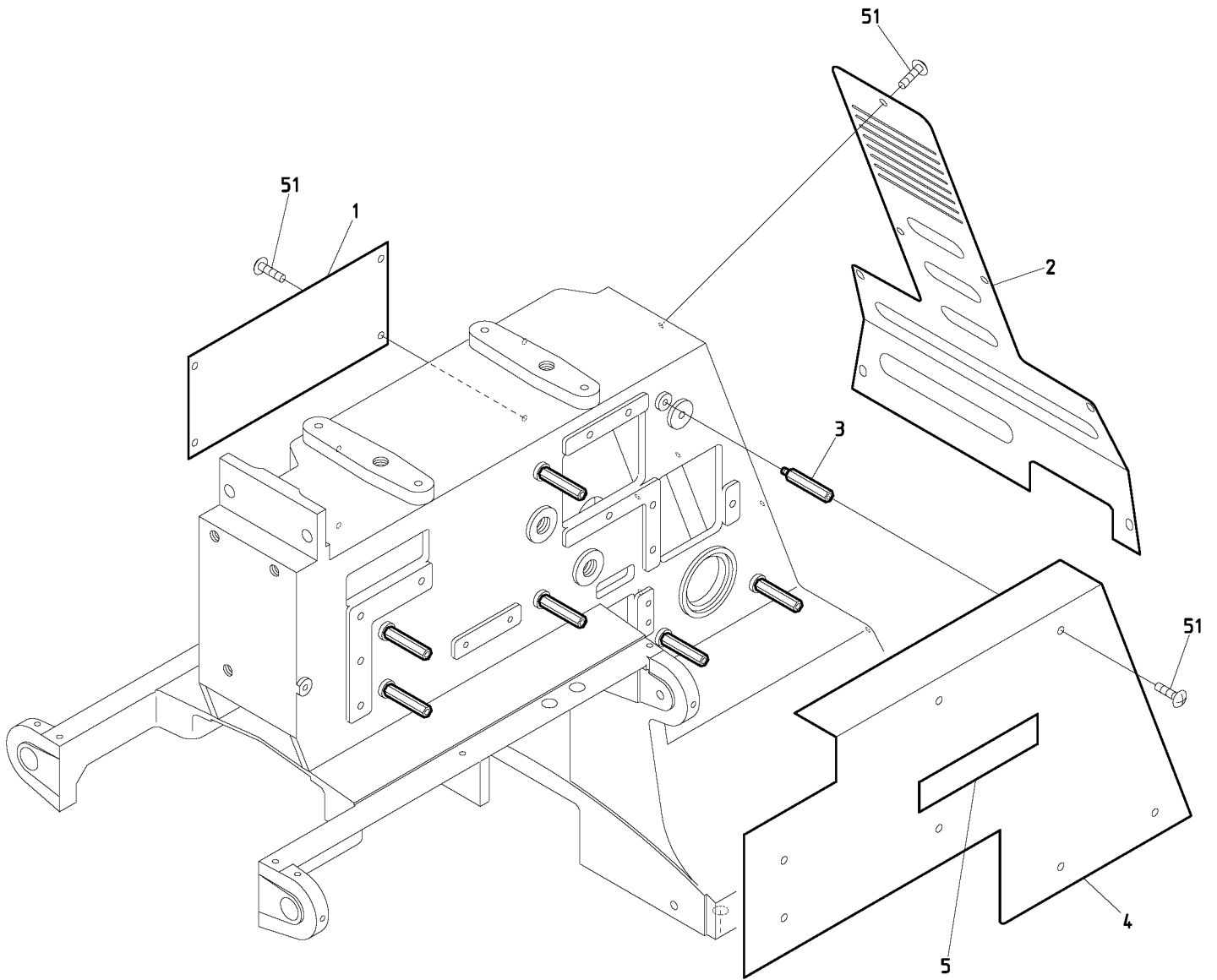


08A Drive A
駆動A



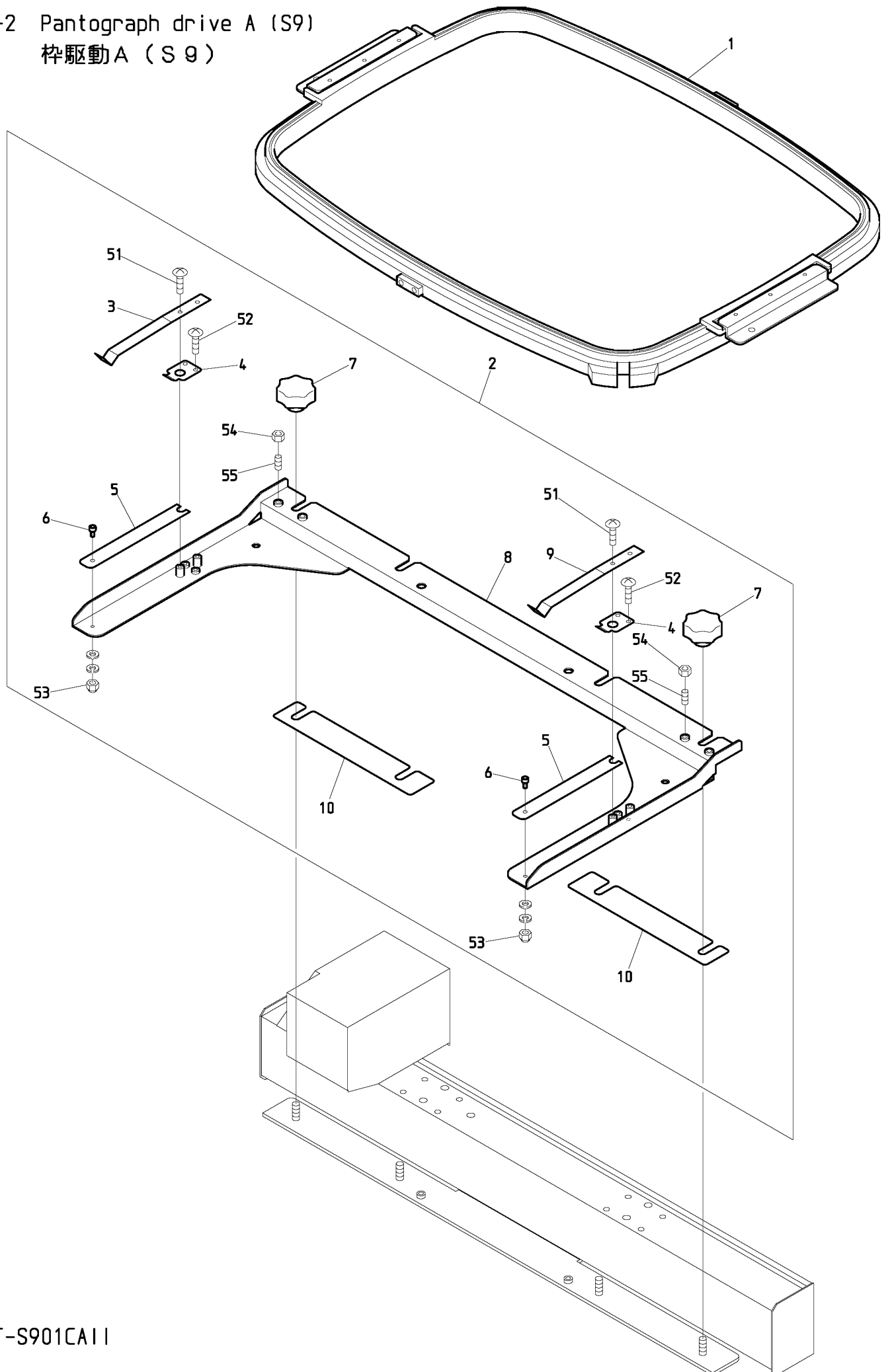
BEVT-S501CA11/S901CA11

08B Drive B
駆動B

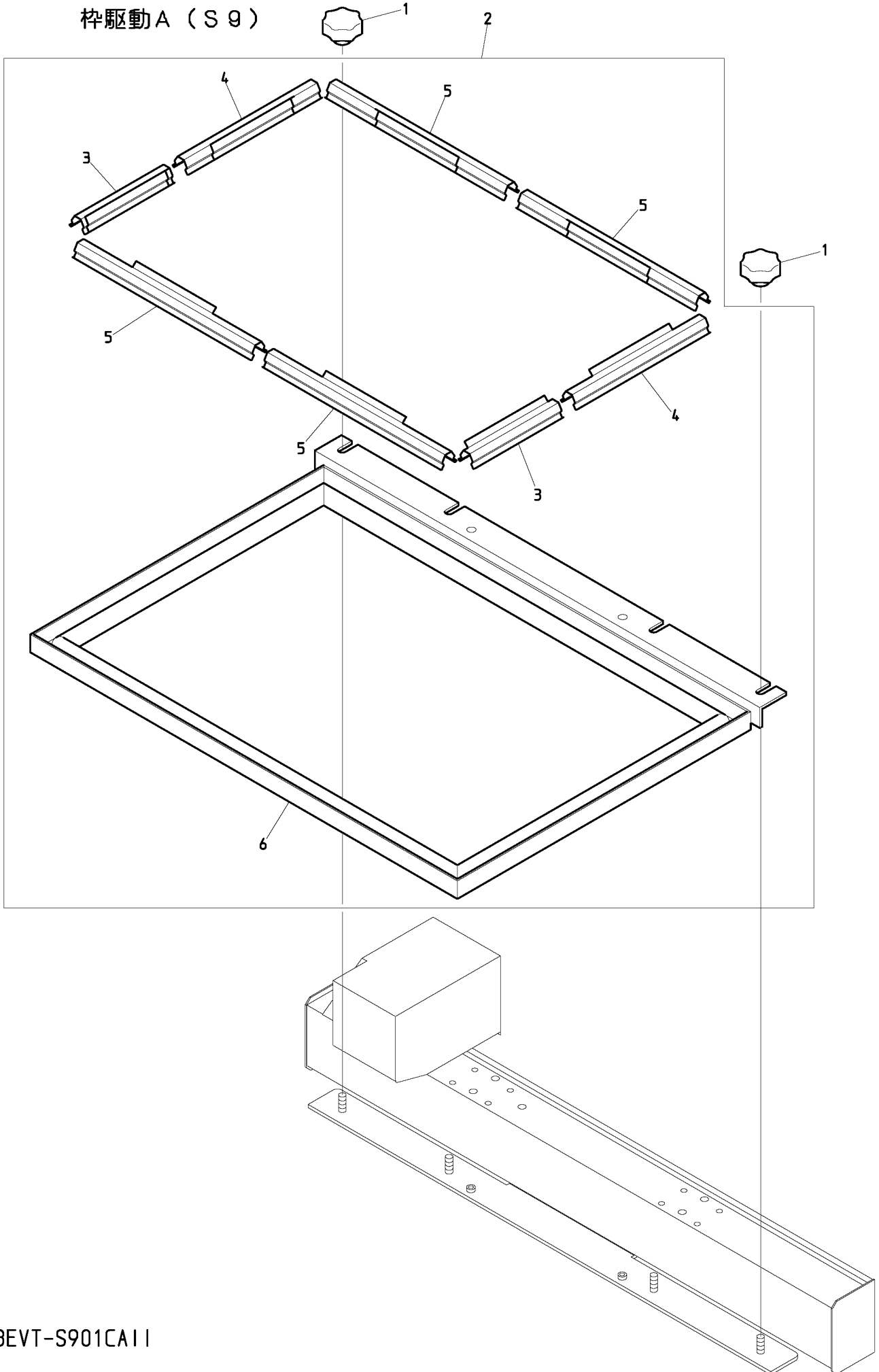


BEVT-S501CA11/S901CA11

10A-2 Pantograph drive A (S9)
杵駆動A (S9)

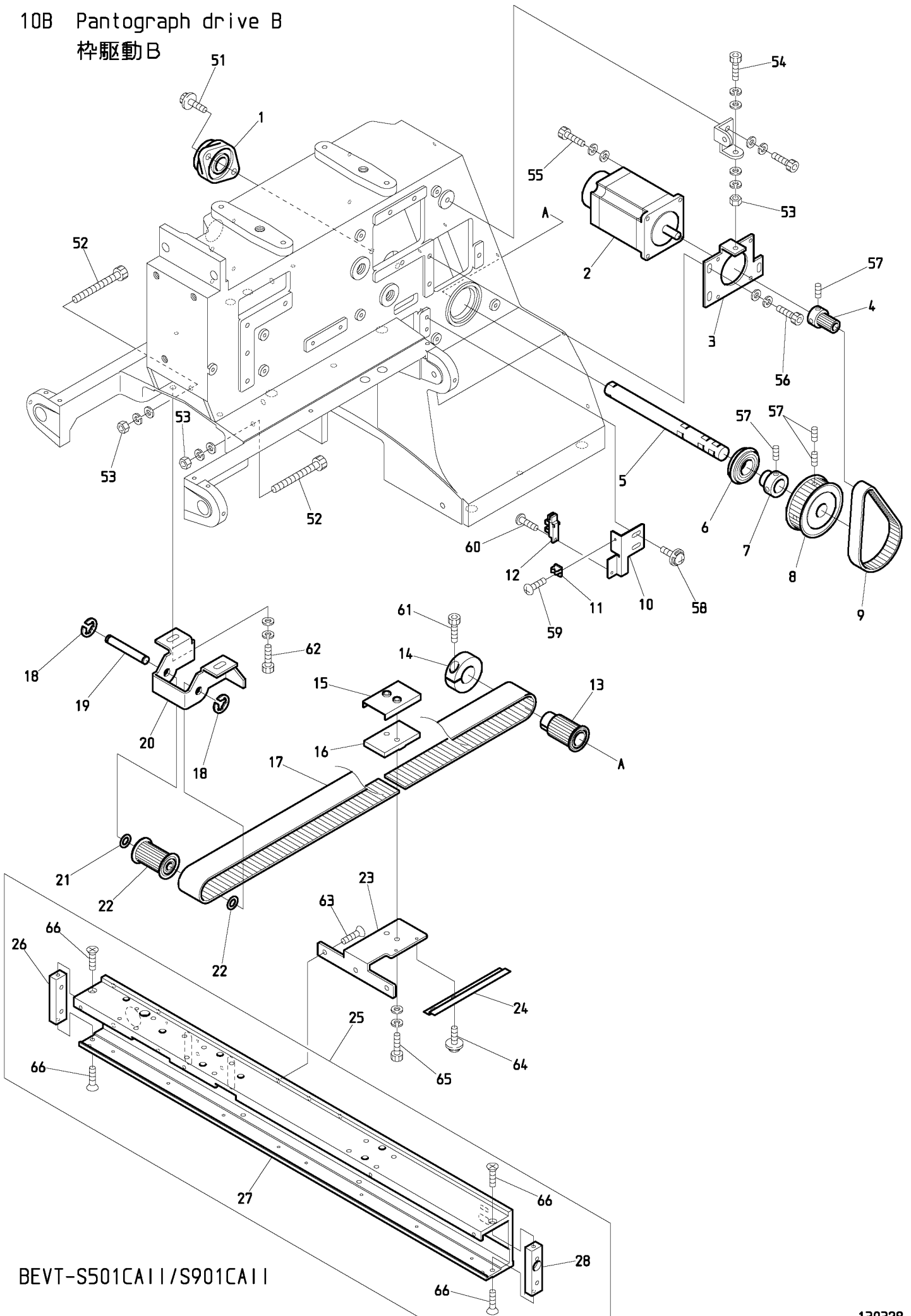


10A-3 Pantograph drive A (S9)
枠駆動A (S9)



BEVT-S901CA11

10B Pantograph drive B
 枠駆動B



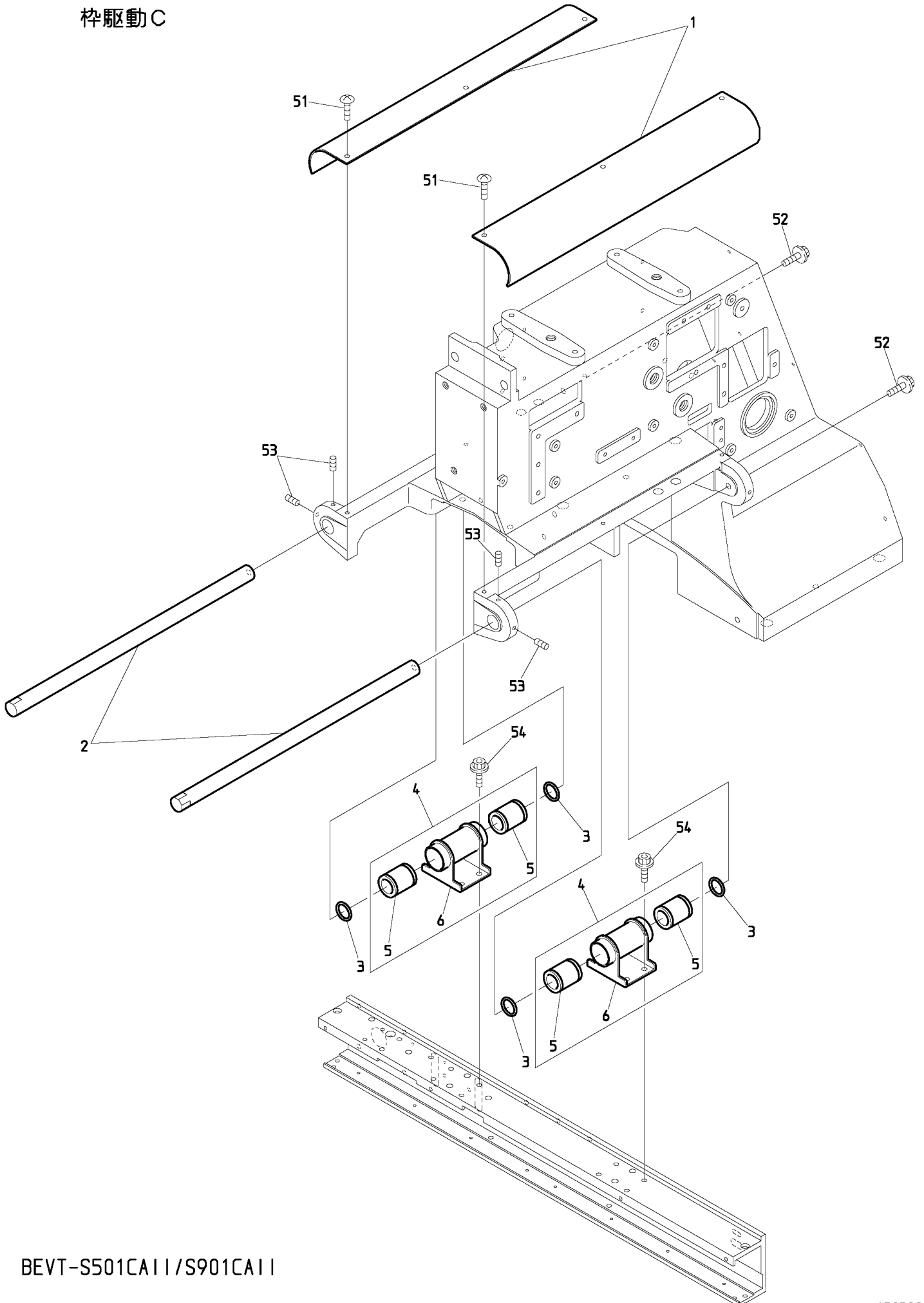
BEVT-S501CA11/S901CA11

10B Pantograph drive B

枠駆動B

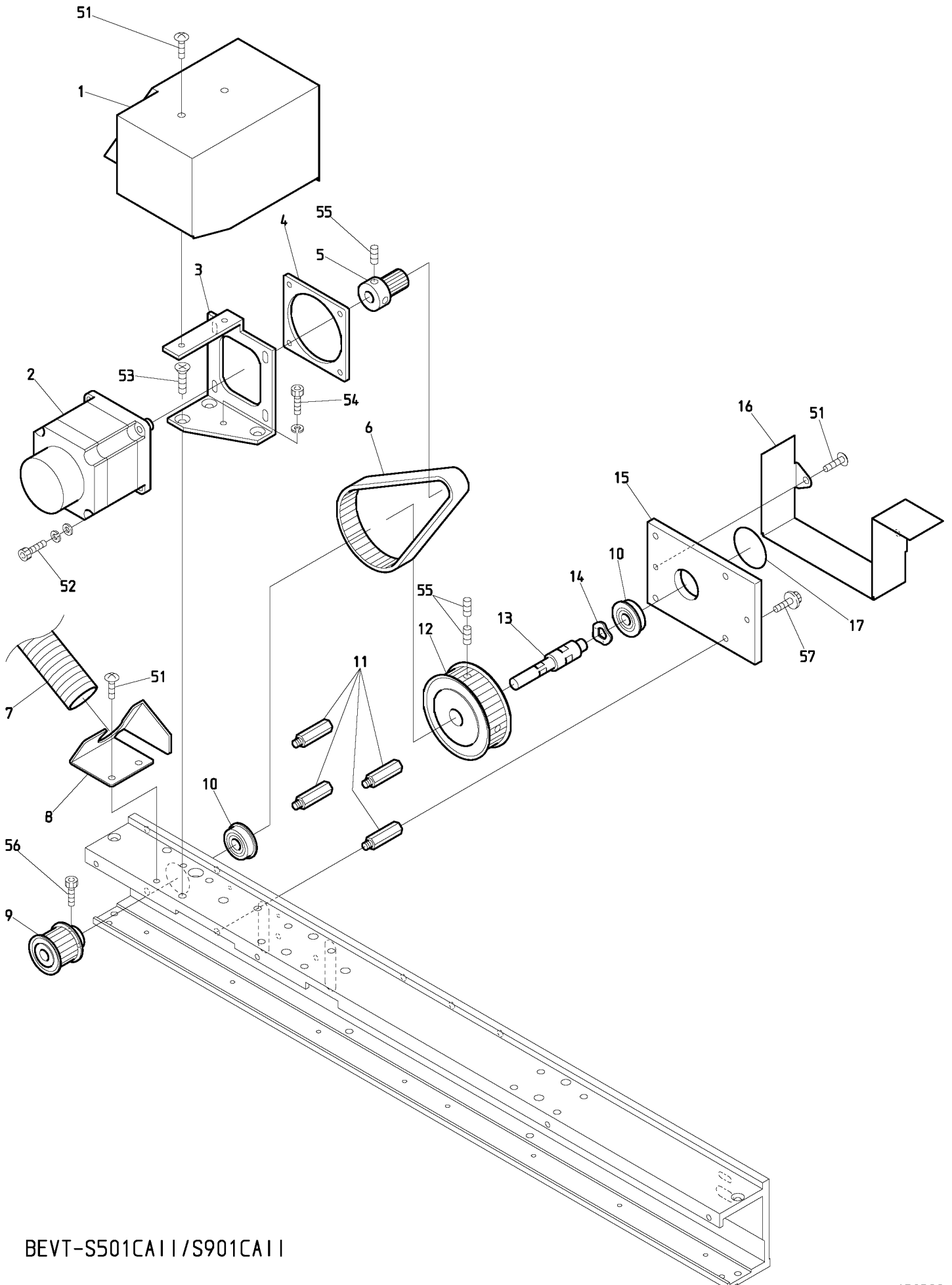
ITEM	LIST No.	DESCRIPTION	部品名	Q'TY	NOTE
1	A9011244	Bearing unit(UFL002D)	軸受ユニット(UFL002D)	1	
2	EDY00430	200W servo motor(TS4747N3200E600)	200Wサーボモーター(TS4747N3200E600)	1	
3	ME480140	H-shaft motor bracket	H軸モーターブラケット	1	
4	MR480220	H,V-shaft motor drive pulley	HV軸モーター駆動プーリー	1	
5	ME480110	H-shaft drive shaft	H軸駆動シャフト	1	
6	A9010141	Deep groove ball bearing(6003ZZNR)	深溝玉軸受(6003ZZNR)	1	
7	ME480160	H-shaft collar	H軸シャフトカラー	1	
8	ME480080	H-shaft timing pulley	H軸モーター従動プーリー	1	
9	A9020247	Timing belt(B150S3M258)	タイミングベルト(B150S3M258)	1	
10	ME480121	H-shaft sensor fixing plate	H軸センサー取付プレート	1	
11	A9068156	Miniature clamp(MB-2)	ミニクランプ(MB-2)	1	
12	EDY00270	Photo interrupter(GP1A75E)	フォトインタラプタ(GP1A75E)	1	
13	ME480020	H-shaft drive pulley	H軸駆動プーリー	1	
14	HH481980	φ19 clamp	φ19割リクランプ	1	
15	ME480150	H-shaft belt clamp set	H軸ベルトクランプ押エ	1	
16	ME480060	H-shaft belt clamp	H軸ベルトクランプ	1	
17	ME480030	Timing belt(O30-MA3-20000E-L)	タイミングベルト(O30-MA3-20000E-L)	1	
18	A9012051	E-ring φ6	E型止メ輪 φ6	2	
19	ME480050	H-shaft belt tension shaft	H軸ベルトテンションシャフト	1	
20	ME480101	H-shaft belt tension bracket	H軸ベルトテンションブラケット	1	
21	A9012164	Thrust washer(R-TW0815)	ルーロンスラストワッシャー(R-TW0815)	2	
22	ME480040	H-shaft timing pulley	H軸従動プーリー	1	
23	ME480130	H-shaft connecting bracket	H軸連結ブラケット	1	
24	ME480071	H-shaft sensor plate	H軸センサープレート	1	
25	ME480300	V-shaft base(CA II)	V軸ベース(CA II)	1 set	
26	ME480190	V-shaft flame stay L	V軸フレームステーL	1	
27	ME480220	V-shaft base flame(CA II)	V軸ベースフレーム(CA II)	1	
28	ME480180	V-shaft flame stay R	V軸フレームステーR	1	
51		Hex. socket flange bolt M6×18	六角穴付フランジボルト M6×18		
52		Hex. socket bolt M5×30	六角穴付ボルト M5×30		
53		Hex. nut M5(With washers)	六角ナット M5(平座金 バネ座金付)		
54		Hex. socket bolt M5×30(With washers)	六角穴付ボルト M5×30(平座金 バネ座金付)		
55		Hex. socket bolt M4×12(With washers)	六角穴付ボルト M4×12(平座金 バネ座金付)		
56		Hex. socket bolt M5×15(With washers)	六角穴付ボルト M5×15(平座金 バネ座金付)		
57		Hex. socket set screw(Cup point) M5×6	六角穴付止メネジ(くぼみ先) M5×6		
58		Sems pan screw with washers M4×10	座金組込十字穴付ナベ小ネジ M4×10		
59		Pan screw M2.6×5	十字穴付ナベ小ネジ M2.6×5		
60		Pan screw M3×4	十字穴付ナベ小ネジ M3×4		
61		Hex. socket bolt M5×18	六角穴付ボルト M5×18		
62		Hex. socket bolt M6×15(With washers)	六角穴付ボルト M6×15(平座金 バネ座金付)		
63		Hex. socket flush bolt M5×8	六角穴付皿ボルト M5×8		
64		Sems pan screw with washers M3×6	座金組込十字穴付ナベ小ネジ M3×6		
65		Hex. socket bolt M5×20(With washers)	六角穴付ボルト M5×20(平座金 バネ座金付)		
66		Flush screw M4×10	十字穴付皿小ネジ M4×10		

10C Pantograph drive C
杵駆動C



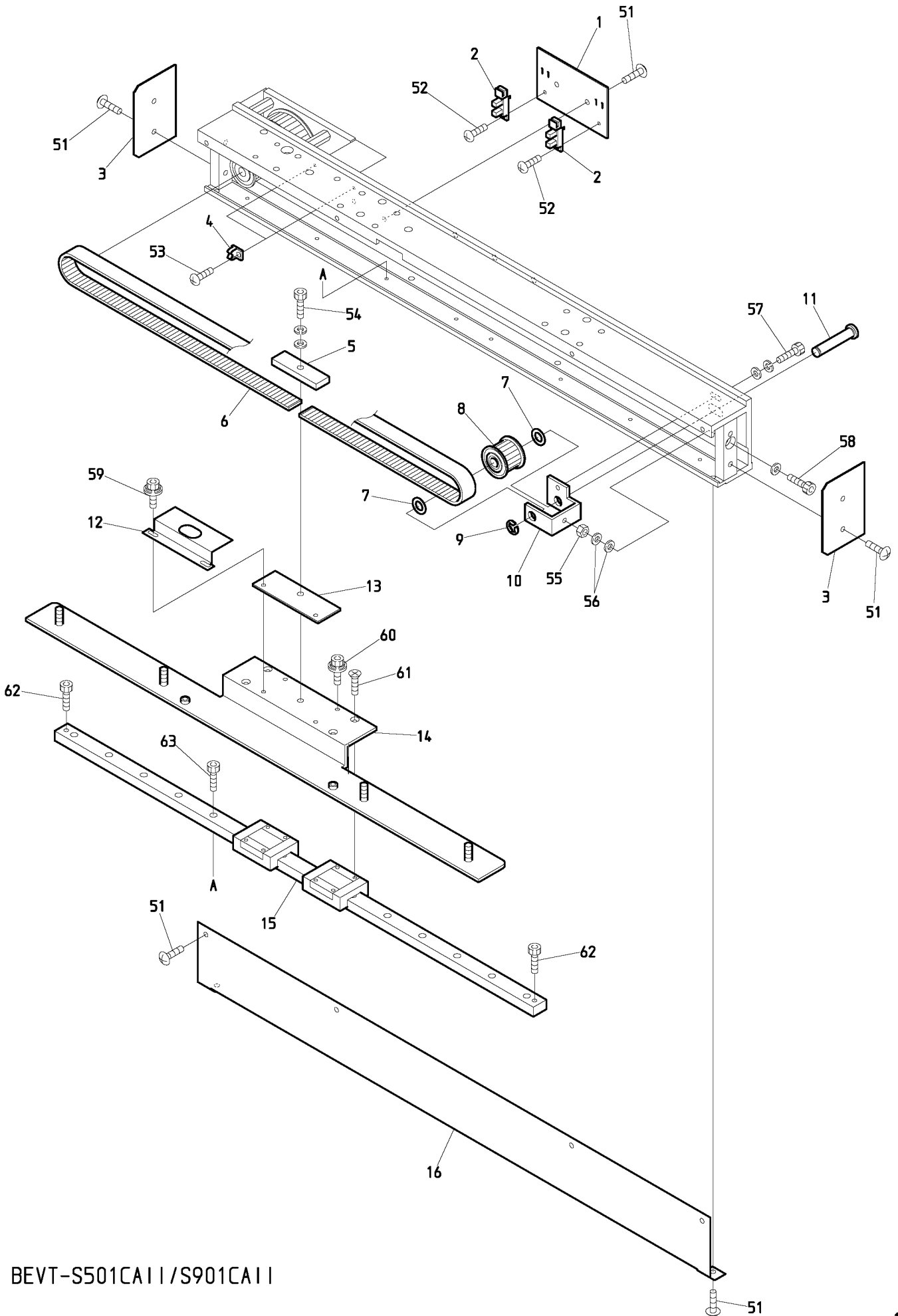
BEVT-S501CA11/S901CA11

100 Pantograph drive D
杵駆動D



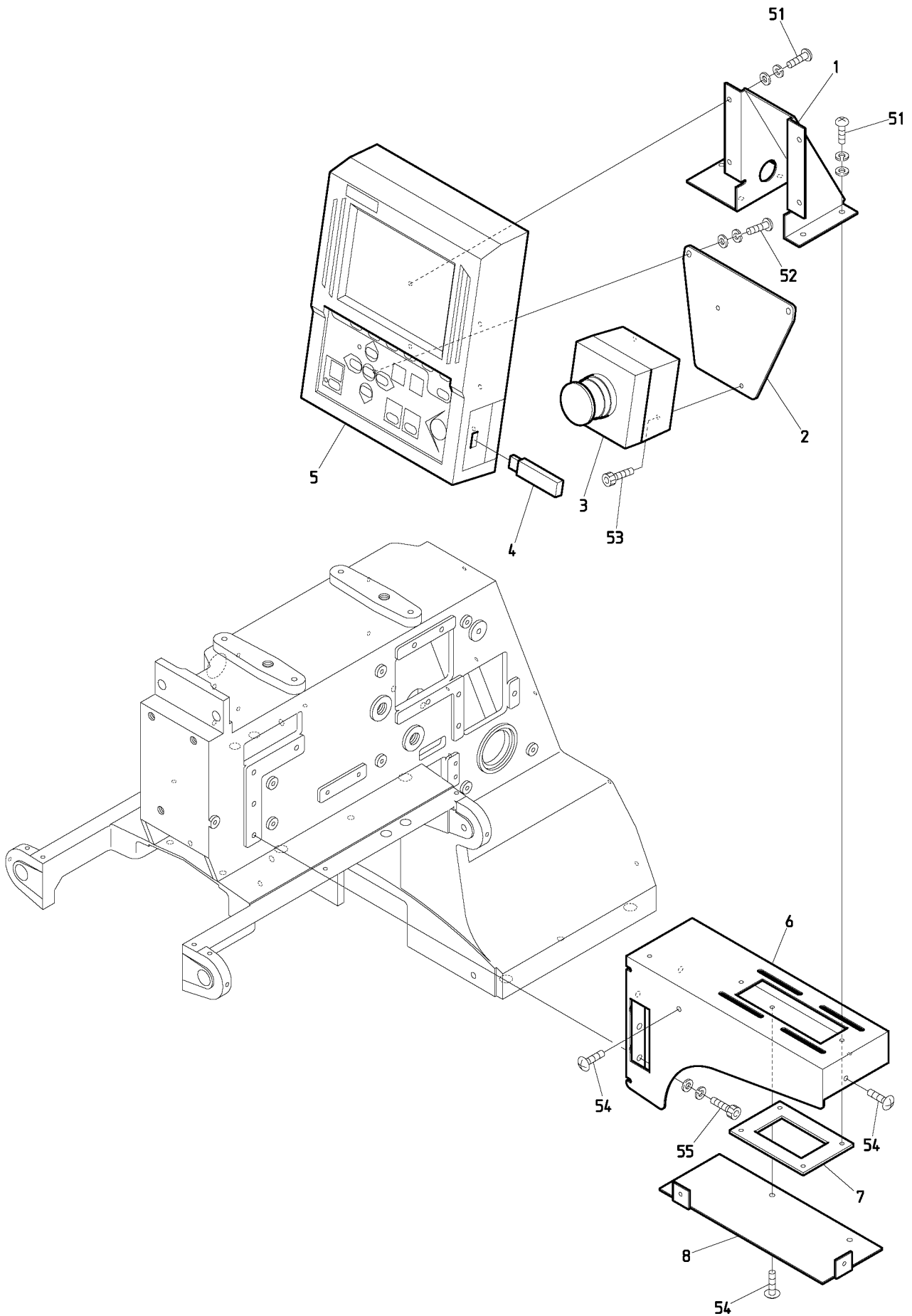
BEVT-S501CA11/S901CA11

10E Pantograph drive E
 枠駆動E



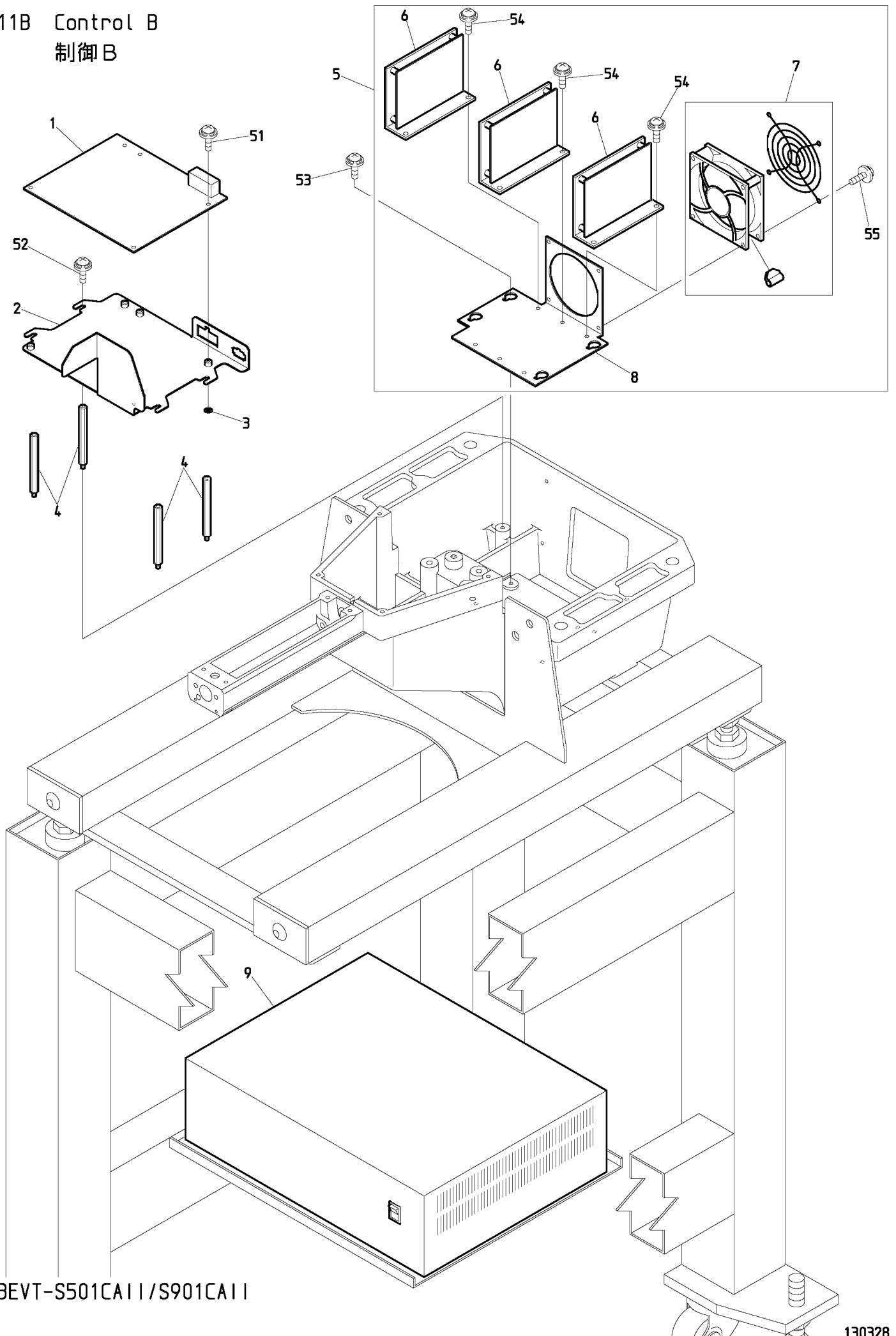
BEVT-S501CA11/S901CA11

11A Control A
制御 A



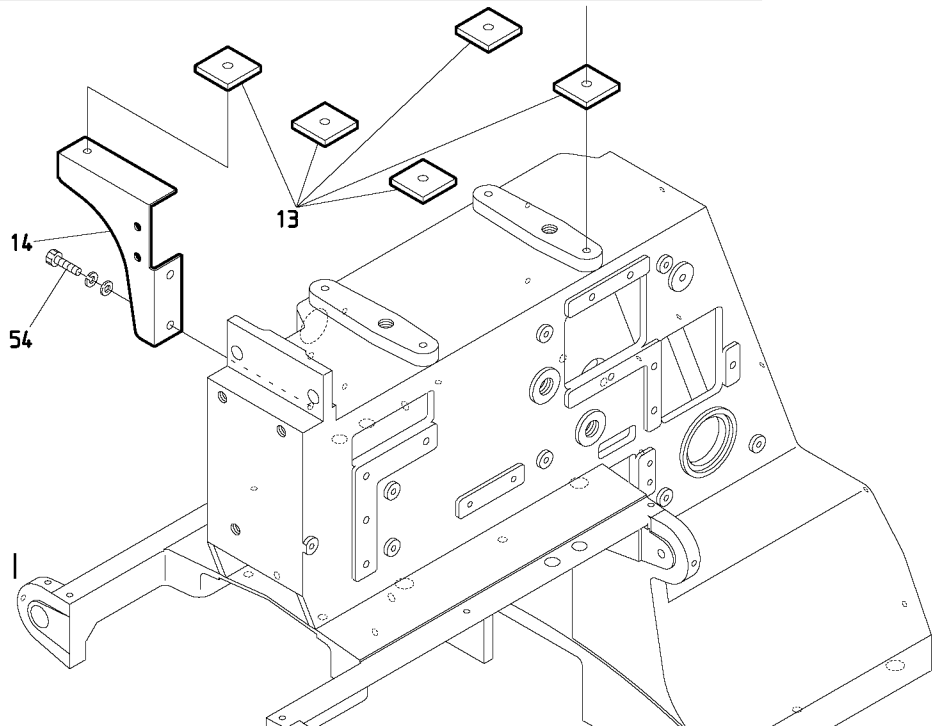
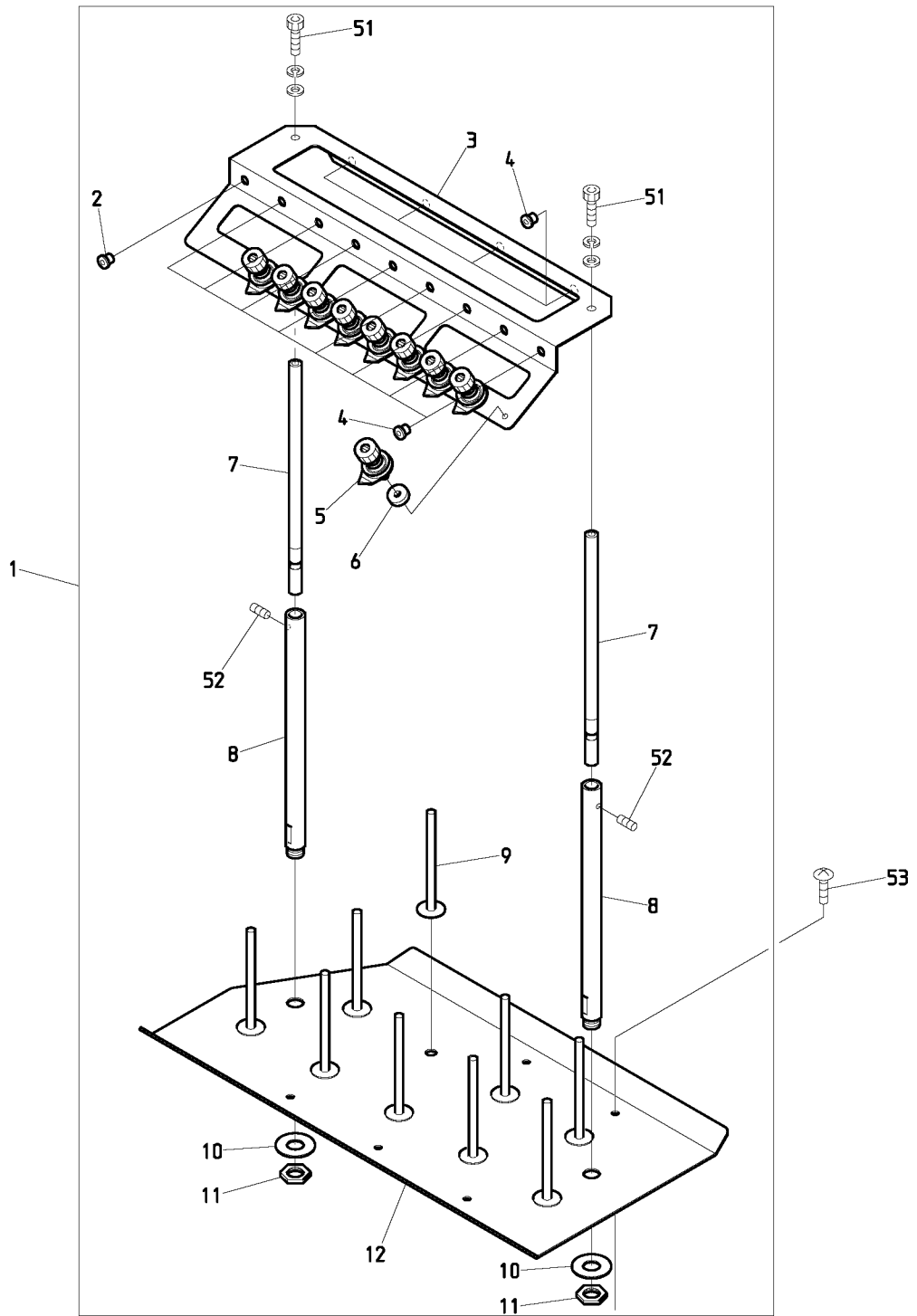
BEVT-S501CA11/S901CA11

11B Control B
制御 B



BEVT-S501CA11/S901CA11

12 Accessories
付属品



BEVT-S501CA11/S901CA11

I N D E X

LIST No.	SECTION No.	ITEM	LIST No.	SECTION No.	ITEM
A9010073	0 3	7	A9014179	0 2 D - 1	11
A9010109	0 7	6	A9014179	0 4 D - 1	3
A9010133	1 0 D	10	A9014211	0 2 D - 1	3
A9010136	0 7	13	A9014211	0 2 D - 2	2
A9010139	0 4 B	34	A9014211	0 4 B	21
A9010140	0 3	20	A9014217	1 0 C	3
A9010141	1 0 B	6	A9014219	0 4 E - 1	7
A9010142	0 8 A	6	A9014220	1 0 A - 1 - 1	11
A9010144	0 4 B	9	A9015011	0 2 C	18
A9011244	1 0 B	1	A9019072	1 3	2
A9011285	0 7	8	A9019097	0 8 A	10
A9011286	0 2 B	16	A9019101	1 3	3
A9011313	0 2 C	7	A9019102	1 3	4
A9011322	0 4 A - 2	26	A9019105	0 0 A	6
A9011323	0 4 A - 1	26	A9020246	1 0 D	6
A9012051	1 0 B	18	A9020247	1 0 B	9
A9012051	1 0 E	9	A9020248	0 8 A	11
A9012127	0 5	2	A9052028	0 2 C	12
A9012127	0 7	12	A9052078	0 2 B	20
A9012127	0 2 C	3	A9052107	1 0 A - 1 - 3	18
A9012127	0 4 B	25	A9052108	1 0 A - 1 - 3	17
A9012164	1 0 A - 1 - 1	8	A9054059	1 1 A	4
A9012164	1 0 B	21	A9056040	0 2 A	1
A9012164	1 0 E	7	A9056041	0 2 C	9
A9012421	0 3	8	A9056056	0 5	6
A9012437C	1 0 A - 1 - 4	1	A9056057	0 2 D - 1	4
A9012437C	1 0 A - 2	7	A9056057	0 2 D - 2	3
A9012437C	1 0 A - 3	1	A9059027	0 2 D - 1	9
A9012452	1 0 A - 1 - 1	2	A9059027	0 4 D - 1	1
A9012465	0 2 D - 1	6	A9068002	0 5	1
A9012465	0 2 D - 2	5	A9068032	0 6 - 1	23
A9012471	0 4 B	6	A9068146	0 2 D - 1	1
A9012490	0 1	11	A9068146	0 2 D - 2	8
A9012523	1 1 B	3	A9068155	1 0 D	7
A9012539	0 4 A - 1	8	A9068156	1 0 B	11
A9012539	0 4 A - 2	8	A9068156	1 0 E	4
A9012540	0 4 C	7	A9072045	1 0 A - 1 - 3	10
A9012548	0 4 D - 2	11	A9072046	1 0 A - 1 - 3	13
A9012553	0 0 B	7	A9073095	1 0 A - 1 - 1	9
A9012564	0 4 D - 1	7	A9074136	1 0 A - 1 - 3	12
A9012564	0 4 D - 2	9	A9074140	1 0 A - 1 - 3	6
A9013071	0 8 A	20	A9074144	1 0 A - 1 - 1	10
A9013083	1 0 D	14	A9075080	1 0 A - 1 - 3	2
A9014167	0 4 A - 1	30	A9075117	1 0 A - 1 - 3	3
A9014167	0 4 A - 2	30	A9075119	1 0 A - 1 - 3	7

I N D E X

LIST No.	SECTION No.	ITEM	LIST No.	SECTION No.	ITEM
A9075120	1 0 A - 1 - 3	5	HT230750	0 4 B	7
A9075121	1 0 A - 1 - 3	4	HT230760	0 4 B	14
A9075145	1 0 A - 1 - 3	8	HT240101	0 6 - 1	12
A9075146	1 0 A - 1 - 3	11	HT240180	0 6 - 1	16
A9075147	1 0 A - 1 - 3	9	HT240180	0 6 - 2	5
EAY092A11	1 1 A	5	HT240290	0 6 - 1	5
EBY01627	0 6 - 2	23	HT240480	1 2	4
EBY02583	0 6 - 2	19	HT240480	1 3	16
EBY02822	0 6 - 1	13	HT240490	1 2	2
EBY03231	1 1 B	1	HT270063	0 4 D - 1	9
EDY00270	1 0 B	12	HT270063	0 4 D - 2	5
EDY00270	1 0 E	2	HT710000	1 2	9
EDY00410	1 1 B	6	HT710000	1 3	18
EDY00420	1 0 D	2	KC250483	0 1	9
EDY00430	0 8 A	2	KC271001	0 2 A	10
EDY00430	1 0 B	2	KC271940C	0 2 A	4
EDY00440	1 1 B	7	KF220530	0 1	16
EDY00450	1 1 B	5	KF220710	0 1	15
EDY00460	1 1 B	9	KF221020	0 1	17
EDY00600	0 2 B	26	KF230501	0 3	22
EFY00030	1 1 B	8	KF230531	0 5	3
EP534355	1 1 A	3	KF230531	0 4 B	26
EP535140	0 2 D - 2	9	KF230680	0 3	23
EP536170	0 2 D - 2	13	KF232130	0 4 A - 1	17
EP536380	0 2 D - 2	10	KF232130	0 4 A - 2	17
FN070011RG	0 4 A - 1	22	KF710390	1 3	17
FN070011RG	0 4 A - 2	22	KF730760	1 0 A - 3	4
FR92330438A520A	1 0 A - 2	1	KF730770	1 0 A - 3	3
HB230070C	0 3	14	KF730790	1 0 A - 3	5
HB230080C	0 3	15	KL220140	0 1	14
HB230262C	0 4 C	4	KL270450	0 2 C	6
HB230271C	0 4 C	1	KN272401	0 2 A	3
HB230620	0 3	10	KN272401	0 2 C	14
HB230751	0 4 A - 1	4	KN540510	0 6 - 1	11
HB230751	0 4 A - 2	4	KV230040	0 4 A - 1	10
HB230800C	0 3	16	KV230040	0 4 A - 2	10
HH481980	0 1	6	KX250081	0 1	1
HH481980	1 0 B	14	KX250081	0 2 B	1
HP241431C	1 2	5	KX270010	0 2 B	12
HS210051	0 2 A	8	KX270370	0 4 D - 2	13
HS210300	0 2 A	9	KX270430	0 2 A	6
HT230120	0 4 A - 1	18	KX330160	0 7	14
HT230120	0 4 A - 2	18	LA730610	1 0 A - 2	6
HT230340	0 4 B	33	MB295250	0 2 B	18
HT230640	0 4 C	6	MB295270	0 2 B	23

I N D E X

LIST No.	SECTION No.	ITEM	LIST No.	SECTION No.	ITEM
ME110003	0 0 A	5	ME250140	0 8 A	18
ME110040	0 0 C	3	ME250150	1 1 B	2
ME110050	0 0 C	1	ME250160	0 8 A	16
ME110060	0 0 C	2	ME250170	1 1 B	4
ME120012	0 0 B	2	ME250180	1 3	20
ME120031	0 0 B	4	ME270010	0 2 A	5
ME120041	0 0 B	3	ME270020	0 2 A	11
ME120053	0 0 B	1	ME270030	0 2 B	25
ME120061	0 0 B	9	ME270050	0 2 B	17
ME120071	0 0 B	8	ME270060	0 4 D - 1	14
ME120080	0 0 B	6	ME270070	0 4 D - 1	16
ME120090	0 0 B	5	ME270080	0 2 A	2
ME210001	0 0 A	1	ME270090	0 1	2
ME210010	0 0 A	3	ME270100	0 2 B	14
ME210050	0 1	3	ME270120	0 2 B	22
ME210080	0 0 A	2	ME270130	0 2 B	24
ME220000	0 1	8	ME270140	0 2 B	15
ME220010	0 1	12	ME310000	0 8 A	5
ME230011	0 5	7	ME310010	0 8 A	4
ME230021	0 2 C	15	ME310020	0 8 A	8
ME230031	0 2 C	11	ME310030	0 8 A	1
ME230051	0 4 A - 2	24	ME310040	0 8 A	3
ME230061	0 2 C	1	ME310050	0 8 A	7
ME230070	0 3	1	ME310060	0 8 A	24
ME230080	0 4 A - 1	24	ME310070	0 8 A	21
ME230121	0 2 C	1	ME480002	1 0 C	5
ME230130	0 2 C	16	ME480013	1 0 C	6
ME230140	0 2 C	17	ME480020	1 0 B	13
ME240000	0 6 - 1	1	ME480030	1 0 B	17
ME250001	1 0 D	16	ME480040	1 0 B	22
ME250011	1 0 E	16	ME480050	1 0 B	19
ME250020	1 0 E	3	ME480060	1 0 B	16
ME250030	1 1 A	7	ME480071	1 0 B	24
ME250040	1 1 A	1	ME480080	1 0 B	8
ME250051	1 1 A	6	ME480092	1 0 C	2
ME250060	1 1 A	8	ME480101	1 0 B	20
ME250070	0 8 B	2	ME480110	1 0 B	5
ME250081	0 8 A	17	ME480121	1 0 B	10
ME250090	0 8 B	4	ME480130	1 0 B	23
ME250100	0 8 B	1	ME480140	1 0 B	3
ME250112	0 4 E - 2	4	ME480150	1 0 B	15
ME250112	0 4 E - 1	4	ME480160	1 0 B	7
ME250122	0 4 E - 2	3	ME480170	1 0 D	4
ME250122	0 4 E - 1	3	ME480180	1 0 B	28
ME250131	1 0 D	1	ME480190	1 0 B	26

I N D E X

LIST No.	SECTION No.	ITEM	LIST No.	SECTION No.	ITEM
ME480210	1 0 D	3	ME730070	1 0 A - 1 - 3	16
ME480220	1 0 B	27	ME730080	1 0 A - 1 - 3	15
ME480230	1 0 E	12	ME730090	1 0 A - 1 - 1	19
ME480240	1 0 E	1	ME730101	1 0 A - 1 - 1	15
ME480250	1 0 E	15	ME730121	1 0 A - 1 - 1	14
ME480260	1 0 E	10	ME730131	1 0 A - 1 - 1	7
ME480272	1 0 D	8	ME730140	1 0 A - 1 - 1	12
ME480280	1 0 E	14	ME730151	1 0 A - 1 - 1	17
ME480290	1 0 E	13	ME730160	1 0 A - 1 - 1	6
ME480300	1 0 B	25	ME730170	1 0 A - 1 - 1	4
ME480320	1 0 C	1	ME730181	1 0 A - 1 - 1	18
ME480340	1 0 D	11	ME730191	1 0 A - 1 - 1	13
ME480350	1 0 D	15	ME730200	1 0 A - 1 - 1	5
ME480361	1 0 C	4	ME730210	1 0 A - 1 - 1	3
ME510000	0 2 D - 2	11	ME730220	1 0 A - 1 - 1	16
ME510010	0 2 D - 2	12	ME790000	1 0 D	17
ME510033	0 2 D - 1	13	MF210080	0 2 B	21
ME510042	0 2 D - 1	12	MF270110	0 2 B	19
ME620000	1 3	12	MF510000	0 8 A	19
ME620010	1 3	1	MF510010	0 7	10
ME620020	1 3	19	MG330070	0 7	11
ME620030	1 3	15	MG330080	0 7	9
ME620040	1 3	13	MG330090C	0 7	2
ME710003	1 2	1	MG330110	0 7	4
ME710011	1 2	8	MH230100	0 4 A - 2	16
ME710020	1 2	7	MH620070	1 3	9
ME710030	1 2	12	MH620090	1 3	5
ME710040	1 2	3	MH620120	1 3	7
ME710050	1 2	6	MH620141	1 3	14
ME710061	1 2	11	MH730020	1 0 A - 2	3
ME710070	1 2	14	MH730030	1 0 A - 2	9
ME710080	1 2	13	MH730060	1 0 A - 2	4
ME710092	1 2	1	MH730071	1 0 A - 2	5
ME710100	1 2	3	MH730150	1 0 A - 2	10
ME710110	1 2	12	MK230080C	0 4 C	11
ME710130	1 2	10	MK510100	0 2 D - 2	14
ME730001	1 0 A - 2	2	MN240090	0 6 - 1	10
ME730011	1 0 A - 2	8	MN240100	0 6 - 1	21
ME730020	1 0 A - 3	6	MN240110	0 6 - 1	24
ME730030	1 0 A - 3	2	MN240120	0 6 - 1	3
ME730041	1 0 A - 1 - 4	2	MN270190	0 4 D - 1	17
ME730050	1 0 A - 1 - 3	1	MN630020	0 2 D - 1	10
ME730050	1 0 A - 1 - 4	15	MN630020	0 4 D - 1	2
ME730061	1 0 A - 1 - 1	1	MN630030	0 4 D - 1	4
ME730061	1 0 A - 1 - 4	3	MN730181	1 0 A - 1 - 2	6

I N D E X

LIST No.	SECTION No.	ITEM	LIST No.	SECTION No.	ITEM
MN730191	1 0 A - 1 - 2	6	MR480210	1 0 E	8
MN730211	1 0 A - 1 - 2	6	MR480220	1 0 B	4
MN730211	1 0 A - 1 - 2	10	MR480220	1 0 D	5
MN730221	1 0 A - 1 - 2	10	MR480240	1 0 D	12
MN730320	1 0 A - 1 - 4	14	MR480260	1 0 E	11
MN730400	1 0 A - 1 - 4	8	MR510002	1 1 A	2
MN730410	1 0 A - 1 - 4	8	MR620042	1 3	10
MN730430	1 0 A - 1 - 4	9	MR620062	1 3	8
MN730600	1 0 A - 1 - 2	5	MR620072	1 3	6
MN730610	1 0 A - 1 - 2	5	MR620110	1 3	11
MN730630	1 0 A - 1 - 2	5	MR730220	1 0 A - 1 - 2	1
MN730630	1 0 A - 1 - 2	9	MR730220	1 0 A - 1 - 4	4
MN730640	1 0 A - 1 - 2	9	MR730230	1 0 A - 1 - 2	1
MN730650	1 0 A - 1 - 2	7	MR730230	1 0 A - 1 - 4	4
MN730650	1 0 A - 1 - 2	11	MR730240	1 0 A - 1 - 2	1
MN730650	1 0 A - 1 - 4	12	MR730240	1 0 A - 1 - 4	4
MN730650	1 0 A - 1 - 4	13	MR730251	1 0 A - 1 - 4	10
MN730660	1 0 A - 1 - 2	4	MR730261	1 0 A - 1 - 4	10
MN730670	1 0 A - 1 - 2	4	MR730271	1 0 A - 1 - 4	10
MN730690	1 0 A - 1 - 2	4	MR730281	1 0 A - 1 - 4	5
MN730690	1 0 A - 1 - 2	8	MR730291	1 0 A - 1 - 4	4
MN730700	1 0 A - 1 - 2	8	MR730300	1 0 A - 1 - 2	2
MN731070	1 0 A - 1 - 2	3	MR730310	1 0 A - 1 - 2	2
MN731090	1 0 A - 1 - 2	3	MR730320	1 0 A - 1 - 2	2
MN731110	1 0 A - 1 - 2	3	MR730331	1 0 A - 1 - 4	11
MN731170	1 0 A - 1 - 4	9	MR730341	1 0 A - 1 - 4	11
MR220001	0 1	5	MR730351	1 0 A - 1 - 4	11
MR220020	0 1	4	MR730361	1 0 A - 1 - 4	6
MR220030	0 1	13	MR730371	1 0 A - 1 - 4	6
MR250010	0 7	1	MR730390	1 0 A - 1 - 4	7
MR250030	0 8 A	22	MR730400	1 0 A - 1 - 4	7
MR250030	0 8 B	3	MR790000	0 8 A	14
MR310010	0 8 A	9	MR790020	0 8 B	5
MR310020	0 3	26	NBOHT230220	0 4 B	4
MR310033	0 8 A	12	NBOHT240101	0 6 - 2	6
MR310041	0 1	7	NBOHT240290	0 6 - 2	10
MR310070	0 8 A	15	NBOKN272402	0 5	8
MR310080	0 8 A	13	NBOKX270050	0 4 D - 2	14
MR330000	0 7	5	NBOPC240060	0 6 - 2	15
MR330020	0 7	7	NBOPE240010	0 6 - 2	4
MR330030	0 7	3	NBOQJ210060	0 1	10
MR480060C	1 0 D	13	NBOQK230000	0 4 C	5
MR480111	1 0 E	5	NBOQK230010	0 4 C	3
MR480170	1 0 E	6	NBOQK230020	0 4 C	9
MR480200	1 0 D	9	NBOQK230050	0 4 B	20

I N D E X

LIST No.	SECTION No.	ITEM	LIST No.	SECTION No.	ITEM
NBOQK230070	0 4 B	28	QH230230	0 4 B	10
NBOQK230082	0 4 B	15	QJ210010	0 0 A	4
NBOQK230181	0 4 B	2	QJ270001	0 2 B	2
NBOQK230200	0 4 B	3	QJ270011	0 2 B	3
NBOQK230210	0 3	24	QJ270020	0 2 B	7
NBOQK230220	0 3	12	QJ270030	0 2 B	10
NBOQK230230	0 3	11	QJ270040	0 2 B	9
NBOQK230300	0 4 A - 1	3	QJ270060	0 2 B	6
NBOQK230300	0 4 A - 2	3	QJ270070	0 2 B	11
NBOQK230330	0 4 A - 2	28	QJ270080	0 2 B	5
NBOQK230390	0 4 A - 1	25	QJ270090	0 2 B	13
NBOQK230390	0 4 A - 2	25	QJ270100	0 2 B	4
NBOQK230420	0 4 A - 2	29	QJ270140	0 2 B	8
NBOQK240011	0 5	5	QK210001	0 2 C	19
NBOQK240020	0 5	9	QK230040	0 4 C	10
NBOQK240080	0 6 - 2	18	QK230060C	0 4 B	16
NBOQK240100	0 6 - 2	16	QK230091C	0 4 B	18
NBOQK240110	0 6 - 2	17	QK230111	0 4 B	22
NBOQK250000	0 4 E - 2	1	QK230121C	0 4 B	24
NBOQK250000	0 4 E - 1	1	QK230151C	0 4 B	32
NBOQK250050	0 4 E - 2	5	QK230170	0 4 B	1
NBOQK270000	0 2 C	5	QK230190C	0 4 B	5
NBOQK270010	0 2 C	8	QK230240	0 3	9
NBOQK270021	0 2 C	13	QK230250C	0 3	21
NBOQK270031	0 2 C	11	QK230271	0 3	19
NBOQK270040	0 2 C	2	QK230280C	0 4 A - 1	27
NBOQK270050	0 2 C	4	QK230280C	0 4 A - 2	27
NBOQK270070	0 2 C	10	QK230291C	0 4 A - 1	12
NBOQK270190	0 4 D - 2	12	QK230291C	0 4 A - 2	12
NBORR240280	0 6 - 2	8	QK230310C	0 4 A - 1	5
NBORR240310	0 6 - 2	13	QK230310C	0 4 A - 2	5
NBORR240320	0 6 - 2	14	QK230320C	0 4 B	35
NBORR240330	0 6 - 2	3	QK230340	0 4 A - 2	31
NBORR240390	0 6 - 2	22	QK230350C	0 4 A - 1	14
NBORR240510	0 6 - 1	6	QK230350C	0 4 A - 2	14
NBORR240510	0 6 - 2	11	QK230360C	0 4 A - 1	23
NBORR240660	0 6 - 2	20	QK230360C	0 4 A - 2	23
NB2QK230031	0 4 C	2	QK230370C	0 4 A - 1	9
NB2QK230260	0 3	17	QK230370C	0 4 A - 2	9
NB2QK240090	0 6 - 2	2	QK230380C	0 4 A - 1	7
NB2RD240154	0 6 - 2	12	QK230380C	0 4 A - 2	7
PE270020	0 4 D - 2	2	QK230440	0 4 E - 2	2
PF270040	0 4 D - 1	8	QK230440	0 4 E - 1	2
PF270040	0 4 D - 2	4	QK230451	0 4 A - 1	6
PF270050	0 4 D - 2	6	QK230451	0 4 A - 2	6

I N D E X

LIST No.	SECTION No.	ITEM	LIST No.	SECTION No.	ITEM
QK230460	0 4 B	23	QK270310	0 4 D - 1	10
QK230520	0 4 A - 1	1	RD240154	0 6 - 1	7
QK230520	0 4 A - 2	1	RH230271	0 3	13
QK230530	0 4 A - 1	13	RH230330C	0 3	25
QK230530	0 4 A - 2	13	RH230440	0 4 A - 1	19
QK230561	0 4 A - 1	11	RH230440	0 4 A - 2	19
QK230561	0 4 A - 2	11	RH230450	0 4 A - 1	20
QK230590	0 4 A - 1	2	RH230450	0 4 A - 2	20
QK230590	0 4 A - 2	2	RH230460	0 4 A - 1	21
QK230600	0 3	2	RH230460	0 4 A - 2	21
QK230610	0 3	1	RH230610	0 3	18
QK230620	0 4 A - 1	28	RN230010	0 3	3
QK230630	0 4 A - 1	31	RN230020C2	0 3	4
QK230640	0 4 A - 1	29	RN230030	0 3	5
QK230650	0 4 B	19	RN230040	0 3	6
QK230660	0 4 B	31	RR230131	0 4 B	11
QK230671	0 4 B	17	RR230140	0 4 B	13
QK230680	0 4 B	30	RR230151	0 4 B	12
QK230710	0 4 B	8	RR240300C	0 6 - 1	4
QK240040C	0 5	4	RR240300C	0 6 - 2	9
QK240070	0 4 E - 2	6	RR240660	0 6 - 1	14
QK240180	0 6 - 2	1	RR240670	0 6 - 2	7
QK240190	0 4 E - 1	8	SG230180	0 4 B	27
QK240210	0 6 - 1	18	SG230190	0 4 B	29
QK240220	0 6 - 1	17	SG230220	0 4 A - 1	15
QK240230	0 6 - 1	19	SG230220	0 4 A - 2	15
QK240240	0 6 - 1	20	SG230270	0 4 C	8
QK250020C	0 2 C	21	SJ210171	0 2 A	7
QK250030	0 2 C	20	SK480030	0 8 A	23
QK250391	0 4 E - 1	5	SL270040	0 4 D - 1	13
QK250400	0 4 E - 1	6	SL270040	0 4 D - 2	8
QK270100C	0 2 D - 1	8	SP240070	0 6 - 1	22
QK270100C	0 2 D - 2	7	SP240080	0 6 - 1	2
QK270110	0 2 D - 1	2	SP240090	0 6 - 1	8
QK270110	0 2 D - 2	1	SP240100	0 6 - 1	9
QK270120	0 2 D - 1	7	SP240110	0 6 - 1	15
QK270120	0 2 D - 2	6	SU230082	0 4 A - 1	16
QK270130C	0 2 D - 1	5	SU270041	0 4 D - 1	6
QK270130C	0 2 D - 2	4	SU270051	0 4 D - 1	12
QK270143	0 4 D - 2	1	SU270070	0 4 D - 1	15
QK270150	0 4 D - 2	3	SW240030	0 6 - 2	21
QK270180	0 4 D - 2	10			
QK270280	0 4 D - 2	7			
QK270291	0 4 D - 1	5			
QK270300	0 4 D - 1	11			